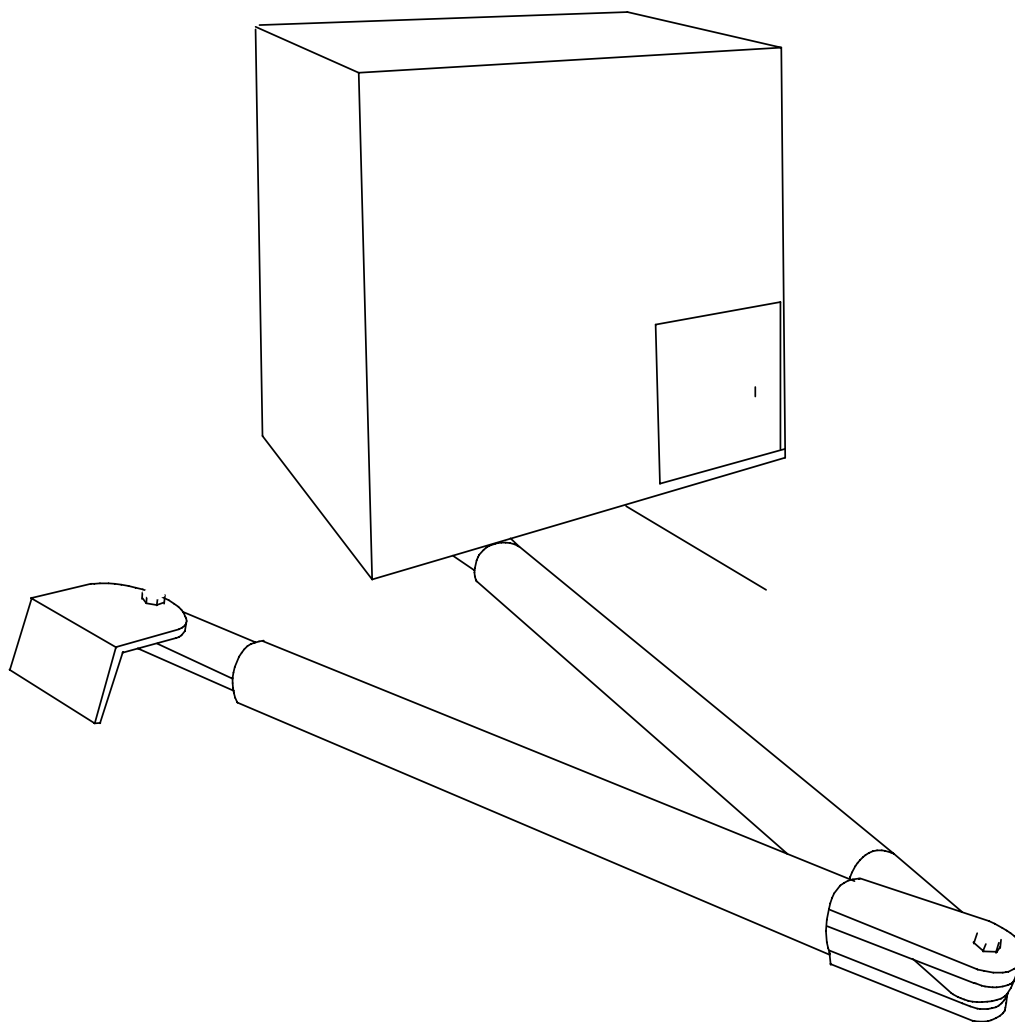


AUTOMATIC TECHNOLOGY AUSTRALIA PTY LTD

axess

Pro Series 200
Pro Series 400

COMMERCIAL SWING GATE OPENER



OWNERS COPY

Installation Instructions






















Warning: It is vital for the safety of persons to follow all instructions. Failure to comply with the installation instructions and the safety warnings may result in serious personal injury and/or property and opener damage.
Please save these instructions for future reference.

TABLE OF CONTENTS

Safety Warnings.....	4
Drive Unit Installation.....	5
Control Board Layout.....	6
Electrical Connections.....	7
Operating Mode Selection.....	9
Operating Controls.....	10
Controlling Inputs.....	11
Setting Cycle & Auto-Close Time.....	12
Factory Parameter Defaults.....	13
Setting Specialised Operating Modes.....	13
Resetting Factory Defaults.....	14
Inverter Parameters.....	14
Power Up.....	15
Manual Release.....	15
Maintenance.....	16
Technical Specifications.....	17
Warranty.....	18

IMPORTANT SAFETY INSTRUCTIONS

Warning - It is vital for the safety of persons to follow all instructions. Failure to comply with the following Safety Rules may result in serious personal injury and/or property damage.

-  The operators are designed specifically to open and close swinging gates and should not be used for any other purpose.
-  Check the gate and its associated support posts and walls to protect against shearing, compression and other traps which could cause serious injury or death.
-  For **ADDITIONAL SAFETY** protection we **STRONGLY** recommend the fitting of a Photo Electric Beam with the automatic opener to protect equipment and persons.
-  **DO NOT** operate the gate opener unless the gate is in full view and free from objects such as vehicles and/or persons. Make sure that the gate has finished moving before entering or leaving the driveway.
-  **DO NOT** operate the gate opener when persons are near the gate. Children must be supervised at all times when the opener is in use. **SERIOUS PERSONAL INJURY** and/or property damage can result from failure to follow this warning.
-  **DO NOT** allow children to operate the gate opener. **SERIOUS PERSONAL INJURY** and/or property damage can result from failure to follow this warning.
-  **DO NOT** disengage the gate opener to manual operation with persons or any other objects including motor vehicles within the gateway.
-  The gate opener is not intended for use by young children or infirm persons without adequate supervision.
-  Keep hands and loose clothing **CLEAR** of the gate and gate opener at all times.
-  The installer should provide all information concerning the use of the automation equipment and instructions regarding the manual override to the users of the system.
-  All electrical connections and wiring must be performed with AS/NZS 3000-2000 as the guidelines.
-  The unit should not to be immersed in water or sprayed directly by a hose or other water carrying device.
-  The gate must be **WELL BALANCED**. Sticking or binding gates must be repaired by a qualified technician prior to installation of the opener.
-  Frequently examine the installation, in particular mountings for signs of wear, damage or imbalance. **DO NOT** use if repair or adjustment is needed since a fault in the installation or an incorrectly balanced gate may cause injury.
-  **DISCONNECT THE POWER CORD** from mains power before making any repairs or removing covers. Only **EXPERIENCED** service personnel should remove covers from the gate opener.
-  When using auto close mode, a **PHOTO ELECTRIC BEAM** should be fitted correctly and tested for operation at regular intervals. **EXTREME CAUTION** is recommended when using auto close mode. **ALL SAFETY RULES** must be followed.
-  In order for the gate opener to **SENSE** an object obstructing the gateway, some **FORCE** must be exerted on the object. As a result the object, gate and/or person may suffer **DAMAGE or INJURY**.
-  If the power supply cord is damaged, it **MUST** be replaced by an ATA service agent or suitably qualified technician.
-  Make sure that the gate is fully open before driving in or out of the driveway and fully closed before leaving the driveway.
-  Display any necessary signs to indicate any danger areas and automatic operation of the gate.
-  The opener is not designed to be used in any hazardous areas or areas subject to flooding etc.

Automatic Technology Australia Pty Ltd to the extent that such may be lawfully excluded hereby expressly disclaims all conditions or warranties, statutory or otherwise which may be implied by laws as conditions or warranties of purchase of an Automatic Technology Australia Pty Ltd Gate Opener. Automatic Technology Australia Pty Ltd hereby further expressly excludes all or any liability for any injury, damage, cost, expense or claim whatsoever suffered by any person as a result whether directly or indirectly from failure to install the Automatic Technology Australia Gate Opener in accordance with these installation instructions.

DRIVE UNIT INSTALLATION

IMPORTANT SAFETY INSTRUCTIONS FOR INSTALLATION

Warning: Incorrect installation can lead to severe injury. Follow ALL installation instructions.

CHECK OPERATION OF THE GATE.

The gate must be well balanced and be in a reasonable operating condition. You should be able to move the gate smoothly and with little resistance. It should not stick or bind or bounce. The gate must be able to be moved manually in the event of power failure.

IMPORTANT - Ensure that there are gate stops installed in the fully open and closed positions. These stops need to be strong enough to stop the gate should the travel limits fail.

INSPECT THE OPENER

Ensure the gate opener is in a new condition and inspect for signs of damage caused in transit. Do not proceed with the installation if damage has occurred.

POWER SUPPLY

The opener requires connection to a stand 240V 10A general purpose power outlet or alternatively hard wired directly to the active neutral and earth terminals on the control module.

NOTE: If a power outlet is required - it must be installed by a suitably qualified electrical contactor.

WIRING REQUIREMENTS

1. 240V 10A general purpose outlet for control box.
2. 3-Core 1.5mm² **shielded** cable (mains plus earth).
3. 3-Core low voltage cable (preferably shielded).

MOUNTING THE DRIVE UNIT

We recommend that 8mm (5/16") or 10mm (3/8") X 4 loxins and bolts are used to secure the Drive Unit into position. These loxins usually require a 16mm (5/8") masonry drill bit (if drilling concrete).

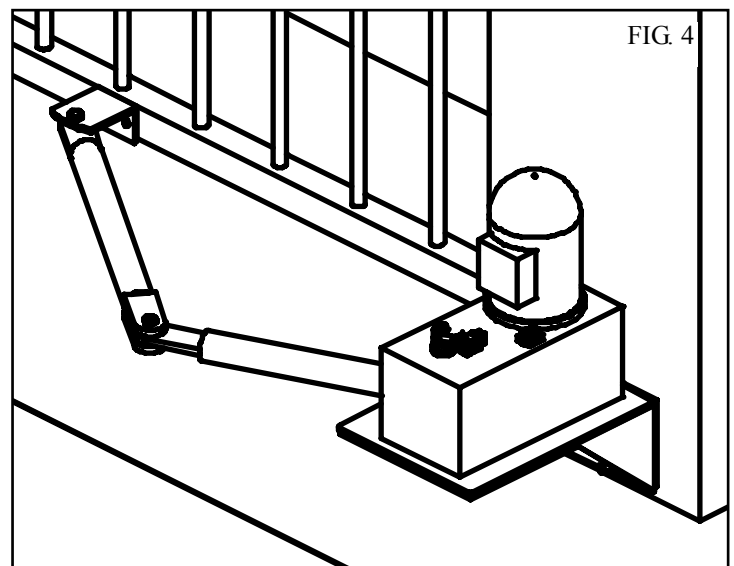
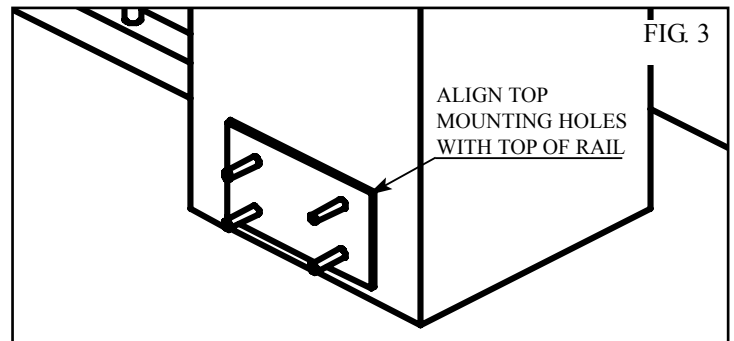
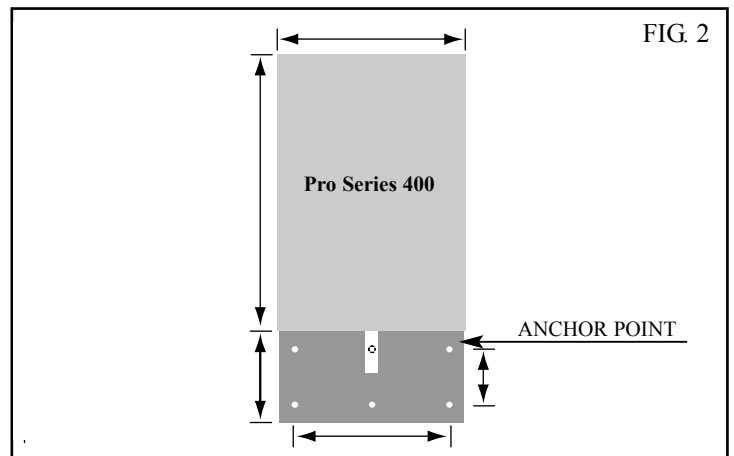
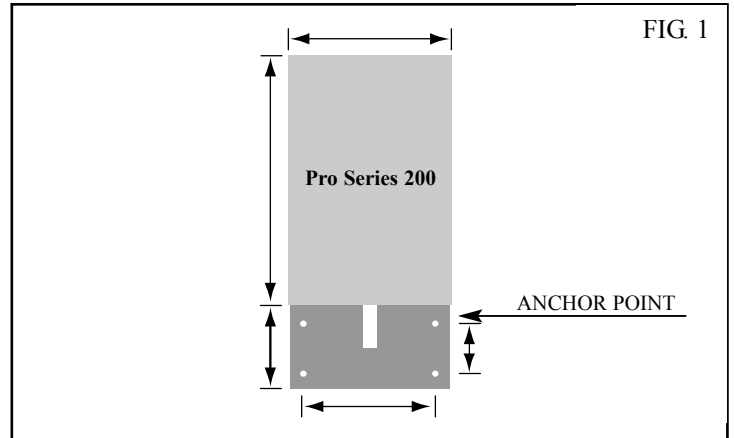
1. Position mounting plate on post or pier so that top mounting holes align with the top of the gate rail (**Fig.3**).

Note: If fixing to steel post then weld bracket in place.

If fixing to masonry then make sure the opener is secure (total weight to be supported is 43Kg or 70Kg).

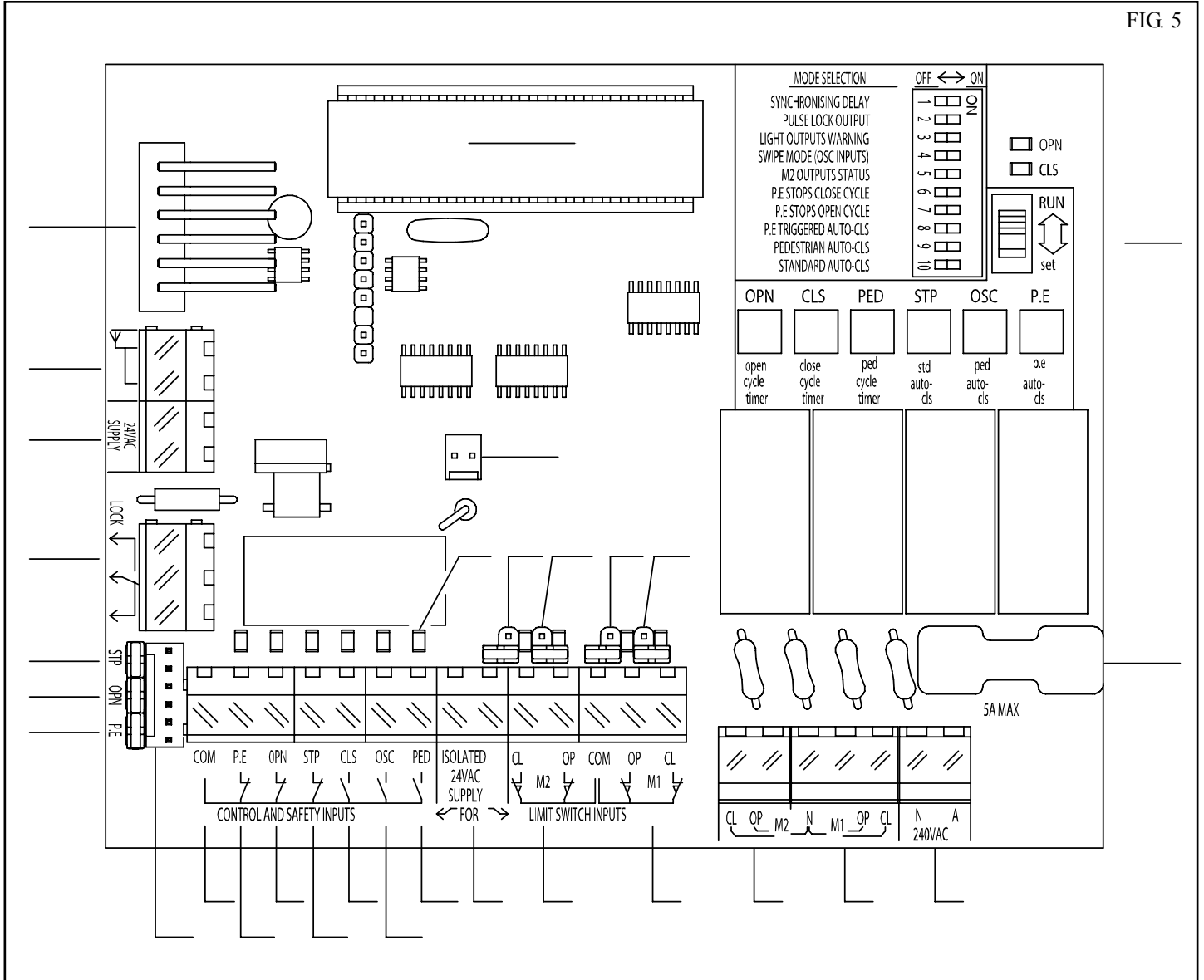
If fixing to a post that is narrower than mounting plate, attach additional bracket to increase strength.

2. Lift drive unit onto mounting plate and secure in place. (**Fig.4**).
3. Turn manual release friction wheel anti-clockwise and position arms so that a minimum angle of 10° off straight.
4. Make sure that drive arm is level and mark position of gate bracket and secure with suitable fasteners.



CONTROL BOARD LAYOUT

FIG. 5



- | | |
|--|---|
| <ol style="list-style-type: none"> 1. MODE SELECTION AND ADJUSTMENT 2. MOTOR PROTECTION FUSE. 3. MAINS 240VAC INPUT TERMINALS. 4. MOTOR 1 DRIVE OUTPUT TERMINALS. 5. MOTOR 2 DRIVE OUTPUT TERMINALS. 6. MOTOR 1 LIMIT SWITCH INPUTS. 7. MOTOR 2 LIMIT SWITCH INPUTS. 8. TERMINALS FOR ISOLATED 24VAC SUPPLY FOR LIMIT SWITCH AND CONTROL INPUTS. 9. PEDESTRIAN ACCESS CONTROL INPUT. 10. OPEN/STOP/CLOSE CONTROL INPUT. 11. CLOSE CONTROL INPUT. 12. STOP CONTROL INPUT. 13. OPEN CONTROL INPUT. 14. PHOTOELECTRIC SAFETY BEAM INPUT. 15. COMMON TERMINAL FOR INPUTS [9] THRU [14]. 16. CONTROL INPUT HARNESS CONNECTOR. | <ol style="list-style-type: none"> 17. ELECTRIC LOCK CONTROL TERMINALS. 18. TERMINALS FOR 24VAC SUPPLY FOR CONTROL LOGIC. 19. PLUG IN RECEIVER'S ANTENNA TERMINALS WITH OPTIONAL SHIELD (for 27MHz only). 20. CONNECTOR FOR PLUG-IN RECEIVER (NOT SHOWN). 21. FIRMWARE VERSION LABEL. 22. LIGHT CONTROL RELAY INTERFACE CONNECTOR. 23. INPUT STATUS L.E.Ds. 24. STOP INPUT JUMPER. 25. OPEN INPUT JUMPER. 26. PE BEAM INPUT JUMPER. 27. M2 CLS LIMIT JUMPER. 28. M2 OPN LIMIT JUMPER. 29. M1 CLS LIMIT JUMPER. 30. M1 OPN LIMIT JUMPER. |
|--|---|

ELECTRICAL CONNECTIONS

The opener is shipped prewired at the factory ready for external controlling inputs. All motor connections, inverter and limits are prewired, ready for connection.

CONTROLLING INPUTS

OPN, STP and PE inputs require a normally closed switch contact and should be shorted to the common terminal if not in use. Only remove the relevant jumper if required (**Fig. 6**).

Note: Do not remove all (3) jumpers as board will be disabled.

CLS, OSC, and PED inputs use a normally open switch contact and should be left unconnected if not required.

Note: The controlling inputs, including limits switches, only require a switch contact. Do not connect any switches that send voltage to the control board as this will damage the board.

If the device switches 12/24V or requires long wiring then use a relay interface module (e.g. model: IM-1) to isolate the input.

POWER ACCESSORIES

Accessories that require 24V AC power can be connected to the Isolated Supply Input (**Fig. 7**).

Note: Check the transformer current capacity before making a connection as this may interfere with the control board's operation.

LOCKS AND LIGHTS

If required a solenoid or magnetic lock can be fitted and activated by the control board.

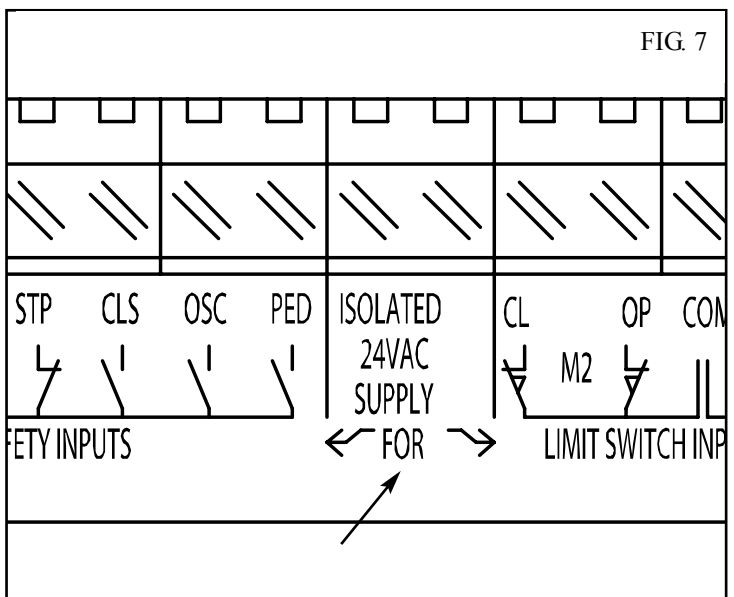
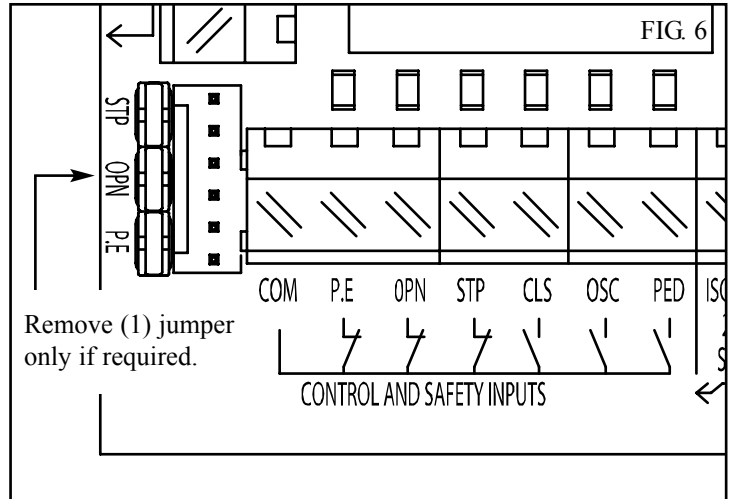
1. Connect 12V power from the DIN rail to the lock (**Fig. 8**).
2. Connect lock control to Lock input.

Note: Maximum Load: 30V AC/DC at 5A.

Note: For a solenoid lock the normally open contact is required. For an electro-magnetic lock the normally terminal contact should be used.

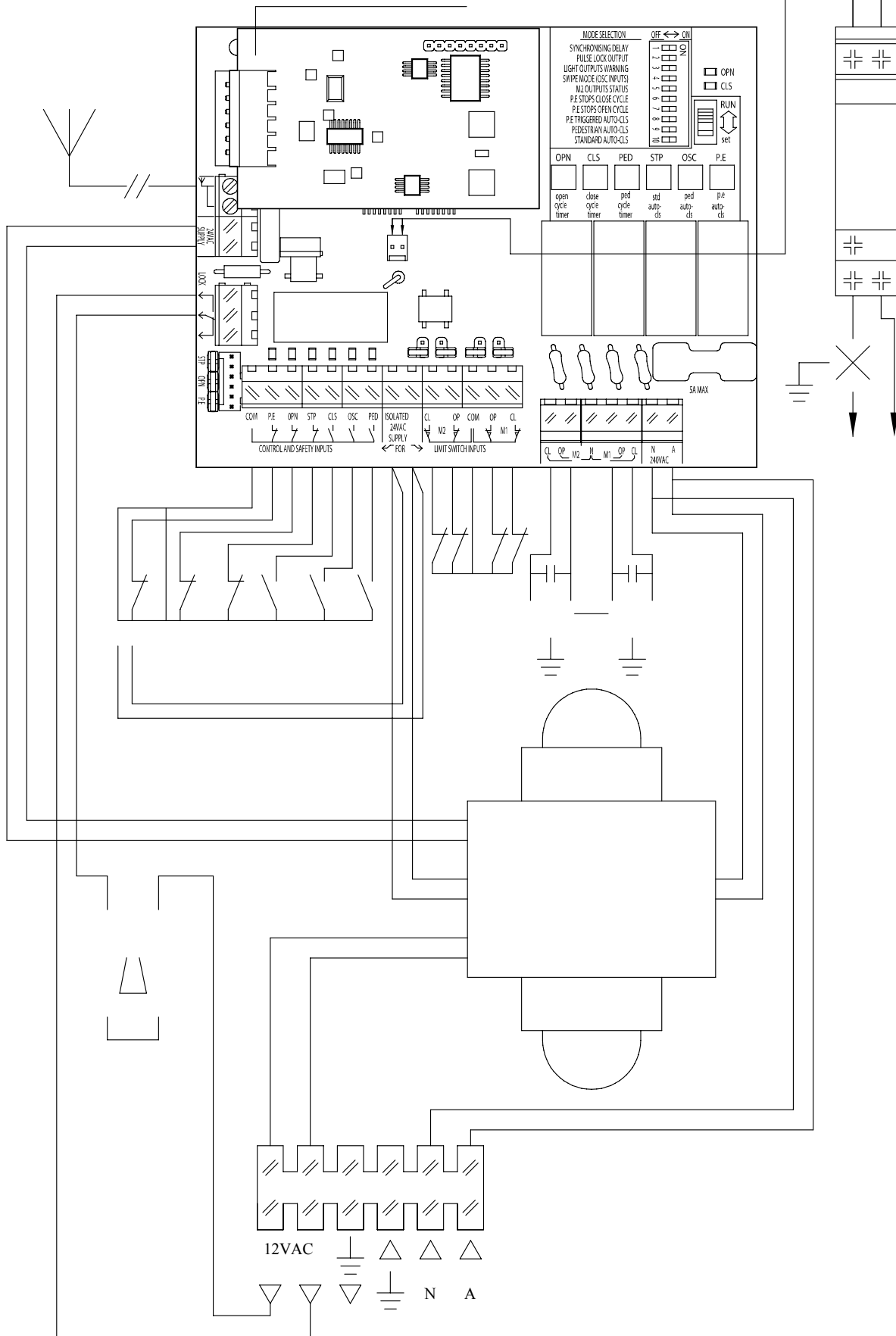
To activate courtesy lights connect the light relay module to the input on the board as per **Fig.8**.

Note: Maximum Load: 240V AC or 30V DC at 10A.



ELECTRICAL CONNECTIONS

FIG. 8



MODE SELECTION

MODE SELECTION

The operating mode can be set using the dispswitches on the upper right corner of the control board (Fig. 9).

Switch 1 – Synchronising Delay

OFF - No Delay

ON - Motor 1 (M1) starts open cycle before M2.
M2 commences close cycle before M1.
Delay 2 secs (adjustable).

Switch 2 – Pulse Lock Output

OFF - Lock is activated for entire cycle

ON - Lock pulses for 0.3 secs at start of each cycle.

Switch 3 – Light Output Warning

OFF - Courtesy light active for 60 secs (adjustable).

ON - Warning light active while motor is running.

Switch 4 – Swipe Mode (OSC INPUT)

OFF - OSC input terminal has standard operation.

ON - OSC input opens gate then resets PE trigger for beam to be broken again to initiate auto-close.

Switch 5 – M2 Output Status

OFF - M2 Output controls M2

ON - M2 Output controls status light.

Switch 6 – PE Stops Close Cycle

OFF - PE triggers closing gate to reverse.

ON - PE triggers closing gate to stop but not reverse.

Switch 7 – PE Stops Open Cycle

OFF - PE Trigger is ignored.

ON - PE triggers opening gate to stop.

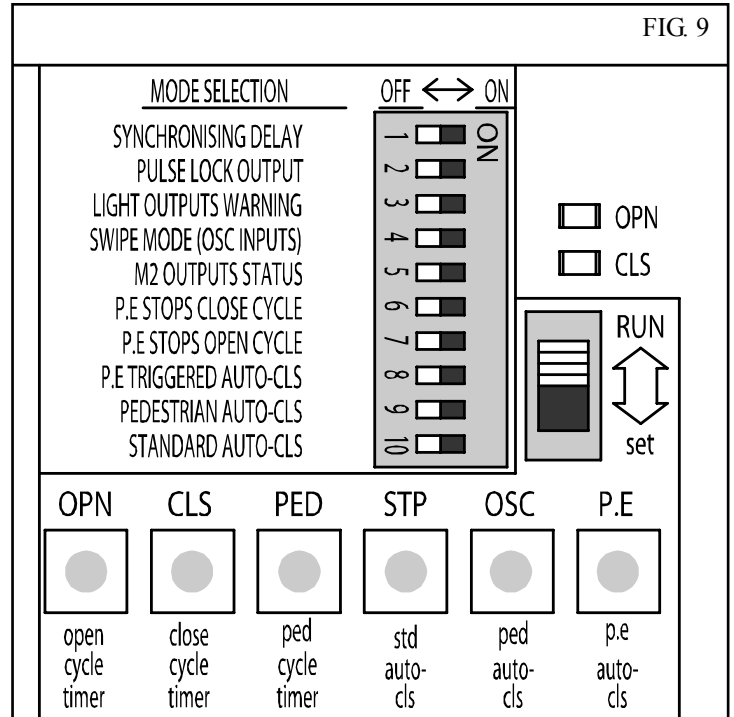
SETTING CYCLE & AUTO-CLOSE TIMES

Each of the press switches (Fig. 8) have three functions. The two most commonly used functions are selected by the position of the "RUN/set" slide switch the third function is selected by the special adjustment mode, see page 11 for details.

The table below describes the function of each switch when the slide switch is either in the "RUN" and "set" positions.

SW	FUNCTION WHEN SWITCH POSITION IS "RUN"	FUNCTION WHEN SWITCH POSITION IS "SET"
PE	Simulates PE Control Input	PE Trigger Auto-Close Time Set
OSC	Open/Stop/Close Input	Pedestrian Auto-Close Time Set
STP	Stop Input	Standard Auto-Close Time Set
PED	Pedestrian Access Input	Pedestrian Access Time Set
CLS	Close Input	Close Cycle Time Set
OPN	Open Input	Open Cycle Time Set

FIG. 9



Switch 8 – PE Triggered Auto-Close

OFF - Auto-Close disabled.

ON - Auto-Close initiates after IR beam is broken.
Delay 0 secs (adjustable)

Switch 9 – Pedestrian Auto-Close

OFF - Auto-Close disabled.

ON - Auto-Close enabled.
Delay 15 secs (adjustable).

Switch 10 – Standard Auto-Close

OFF - Auto-Close disabled.

ON - Auto-Close enabled.
Delay 30 secs (adjustable).

OPERATING CONTROLS

DESCRIPTION OF STANDARD OPERATION

The control board is supplied with all the mode selection dip-switches in the off position, the slide switch in the "RUN" position and factory default parameters in memory. Refer to page 12 to return the control board to its original factory default parameters.

MOTOR CONTROL OPERATION

The controller drives the motors in the appropriate direction as instructed by the control inputs. Both motors are started at the same time and are turned off when:

- a) The controller is instructed to by a control input.
- b) The motors travel time has exceeded 60 seconds.
- c) A motor's travel limit switch for the current direction of travel has been tripped.

When the motor direction is changed the controller allows 0.5 seconds for the motors to come to rest before attempting to drive the motors in the other direction.

LOCK RELEASE OUTPUT OPERATION

The lock release output is activated at the same time as the motors are turned on at the start of each cycle and deactivated a short time after the motors are turned off at the end of the cycle. If the controller is instructed to change the motor direction while opening or closing, the lock release output remains active while the motor direction change is being made.

COURTESY LIGHT OPERATION

With the addition of a module connected to the control board, the courtesy light will illuminate each time the gate is activated. The light will automatically turn off 60 secs after the last cycle is complete.

Note: The status of the each input terminal is indicated by LEDs located above each input.

OPEN / STOP / CLOSE (OSC) INPUT OPERATION

The OSC input can be activated by a switch connected to the OSC terminal or by pressing the OSC button. Each actuation cycles through open - stop - close - stop - open, etc.

PEDESTRIAN ACCESS (PED) INPUT OPERATION.

The pedestrian access operation partially opens the gate leaf driven by M1 to allow pedestrian access but prevent vehicle access. The gate leaf is partly opened, driven in the open direction for 5 secs. The gate can be closed (pedestrian close cycle) again by reactivating the PED input.

If the P.E input is activated during a pedestrian close cycle the gate leaf will stop but will not reopen. The PED input is normally activated by a switch connected to the PED terminal and can also be activated by pressing the PED button.

CLOSE (CLS) INPUT OPERATION

The CLS input is normally activated by a switch connected to the CLS input terminal and can also be activated by pressing the CLS button. Activating the CLS input will cause the gate to close.

OPEN (OPN) INPUT OPERATION

The OPN input is normally activated by a switch connected to the OPN input terminal and can also be activated by pressing the OPN button. Activating the OPN input will start to open the gate.

STOP (STP) INPUT OPERATION

The STP input is normally activated by a switch connected to the STP input terminal and can also be activated by pressing the STP button. Activating the STP input while the gate is moving will cause the gate to be stopped.

PHOTOELECTRIC BEAM (P.E) INPUT OPERATION

The P.E input is normally activated by a switch connected to the P.E input terminal and can also be activated by pressing the P.E button. When the P.E input is active the gate is prevented from being closed. If the P.E input is tripped while the gate is closing it will stop briefly and then reopen. The P.E input has no effect while the gate is opening. The status of each input is shown by LEDs located directly behind each input terminal.

REMOTE CONTROL OPERATION

When an optional remote control receiver is fitted to the 6 pin connector the controller can be operated by a radio transmitter. The controller will respond to a transmission using the OPEN/STOP/CLOSE (O/S/C) operation and/or the PEDESTRIAN ACCESS (PED) operation.

CONTROLLING INPUTS

MULTIPLE CONTROLLING INPUTS

The table below shows the action taken by the opener when multiple inputs are activated. The table shows the initial gate status at the top right. The new input state is shown on the left and the resulting gate status is shown in the shaded area. Please note that the CLS push button [30] has a slightly different effect to the CLS terminal [11] which is used in table 4

LEGEND:

- A** Input is Active
- T** Input is Triggered
- Input is Inactive
- ...** Has no effect

INPUT STATE					INITIAL GATE STATUS				
OPN	STP	CLS	OSC	PED	OPEN	CLOSED	STOPPED	OPENING	CLOSING
...	A	
...	T	STOPS	STOPS
A	—	T	STOPS	
T	—	A		STOPS
A	—	—	T	—	...	OPENS	OPENS	STOPS	
A	—	—	—	T	...	OPEN PED	...	STOPS	
—	—	—	T	T	CLOSES	...	CLOSES	CLOSES	...
—	—	A
—	—	...	A
—	—	A
A	...	A		
T	—	—	A	—	...	OPENS	OPENS	...	OPENS
T	—	—	—	A	...	OPENS	OPENS	...	OPENS

ADJUSTING CYCLE & AUTO-CLOSE TIMES

ADJUSTING CYCLE AUTO-CLOSE TIMES

SETTING OPEN CYCLE TIME

1. Close the gate.
2. Place the slide switch to the **set** position.
3. Press and hold **open cycle timer** button until gate has reached the desired open position. If limit switches are reached wait a few seconds before releasing.
4. Place the slide switch back to **RUN** position and test.

SETTING CLOSE CYCLE TIME

1. Open the gate.
2. Place the slide switch to the **set** position.
3. Press and hold **close cycle timer** button until gate has reached the desired close position. If limit switches are reached wait a few seconds before releasing.
4. Place the slide switch back to **RUN** position and test.

SETTING PEDESTRIAN ACCESS CYCLE TIME

1. Make sure the gate is closed.
2. Place the slide switch to the **set** position.
3. Press and hold **close cycle timer** button to close the gate.
4. Press and hold the **ped cycle timer** button until the gate leaf driven by M1 has opened far enough for pedestrian access.

SETTING PE TRIGGERED AUTO-CLOSE DELAY TIME

1. Place the slide switch to the **set** position.
2. Press and hold **p.e auto-cls** button for required delay time.
3. Return slide switch to **RUN** position and test operation.

SETTING PED'N ACCESS AUTO-CLOSE DELAY TIME

1. Place the slide switch to the **set** position.
2. Press and hold **ped auto-cls** button for required delay time.
3. Return slide switch to **RUN** position and test operation.

SETTING STANDARD AUTO-CLOSE DELAY TIME

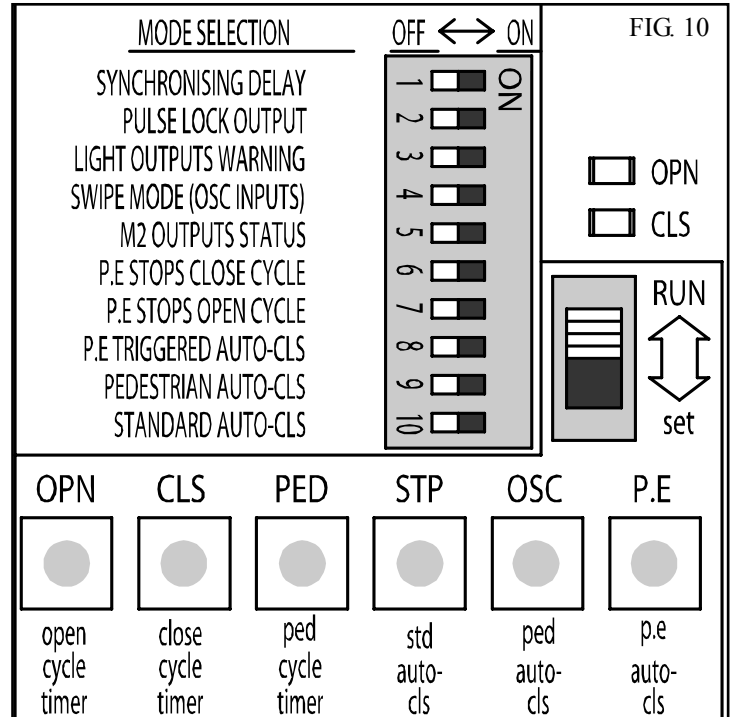
1. Place the slide switch to the **set** position.
2. Press and hold **std auto-cls** button for required delay time.
3. Return slide switch to **RUN** position and test operation.

SPECIAL TIME ADJUSTMENTS

To enter special adjustment mode:

1. Turn power off to control board.
2. Place the slide switch to **set** position.
3. Press and hold **CLS** button.
4. Turn power on while holding **CLS** button.
5. Wait until both OPN & CLS status LEDs turn off, then release the **CLS** button.
6. Both status LEDs will illuminate to indicate that the special adjustment mode is selected.

The controller is now ready to adjust the special parameters. Make sure the slide switch is returned to **RUN** position after adjustment. To aid adjustment the status LEDs will both be turned off when timer adjustment starts and the CLS status LED will flash at one second intervals while the button is pressed.



SETTING LOCK PULSE LENGTH.

The lock pulse time is the time the controller activates the lock release output for at the start of each cycle.

1. Set PULSE LOCK OUTPUT dip-switch to ON position.
2. Press and hold OPN button for the required lock pulse time.

SETTING PRE-WARNING LIGHT TIME

To adjust the warning light duration before the gate moves.

1. Set LIGHT OUTPUTS WARNING dip-switch to ON position.
2. Press and hold CLS button for the required pre-drive delay time.

SETTING COURTESY LIGHT TIME DURATION

To set the courtesy light timer duration

1. Set LIGHT OUTPUTS WARNING dip-switch to OFF position.
2. Press and hold the CLS button for the required light duration.

Note: 1 sec hold = 10 secs light time, i.e. holding button for 6 secs will set timer to 60 secs.

SETTING MOTOR STOPPING TIME.

To set rest duration after motor stops.

1. Press and hold STP button for required motor stopping time.

SETTING GATE DELAY TIME FROM LOCK RELEASE

To set the gate delay after pulse lock is release.

1. Press and hold the OSC button for the required duration.

SETTING GATE LEAF SYNC DELAY

To the same gate leaf sync delay for the both open and close cycles.

1. Press and hold the P.E button for the required sync delay time.

SETTING CLOSING CYCLE GATE LEAF SYNC DELAY.

To adjust the gate leaf sync delay for the close cycle only.

1. Press and hold the PED button for the required sync delay time.

NOTE: This does not affect the sync delay set for the open cycle.

PARAMETER DEFAULTS

PARAMETER	ADJUSTMENT METHOD	FACTORY PRESET	RANGE	STEP
OPEN CYCLE TIME	Open Cycle Timer [set]	60 secs	0 - 111 mins	1 sec
CLOSE CYCLE TIME	Close Cycle Timer [set]	60 secs	0 - 111 mins	1 sec
PEDESTRIAN CYCLE TIME	Ped Cycle Timer [set]	5 secs	0 - 111 mins	1 sec
PE TRIGGERED AUTO-CLOSE TIME	PE Auto-Cls [set]	0 secs	0 - 111 mins	1 sec
PEDESTRIAN AUTO-CLOSE TIME	Ped Auto-Cls [set]	15 secs	0 - 111 mins	1 sec
STANDARD AUTO-CLOSE TIME	Std Auto-Cls [set]	30 secs	0 - 111 mins	1 sec
LOCK PULSE LENGTH	OPN [special adjust mode]	0.3 secs	0 - 25 secs	1 sec
PRE-DRIVE LOCK ACTIVATION TIME	OSC [special adjust mode]	0 secs	0 - 25 secs	1 sec
PRE-DRIVE LIGHT WARNING TIME	CLS [special adjust mode]	0 secs	0 - 25 secs	1 sec
COURTESY LIGHT TIME	CLS [special adjust mode]	60 secs	0 - 111 mins	10 secs
MOTOR STOPPING TIME	STP [special adjust mode]	0.5 secs	0 - 25 secs	1 sec
GATE SYNC DELAY	PE [special adjust mode]	2 secs	0 - 25 secs	1 sec
GATE SYNC DELAY (CLOSE CYCLE)	PED [special adjust mode]	2 secs	0 - 25 secs	1 sec

RESETTING FACTORY DEFAULT TIMES

To reset the factory set values for all operating parameters:

1. Turn power off to control board.
2. Move slide switch to **set** position.
3. Press and hold **CLS** button.
4. Turn power on while holding **CLS** button.
5. Wait until both OPN & CLS status LEDs turn off.
6. While holding CLS button return slide switch to **RUN** position.
7. Wait until **OPN** status LED illuminates.
8. Release **CLS** button.
9. When status LEDs start flashing, factory default is reset.

SPECIALISED OPERATING MODES

The CB-6 can be upgraded to accommodate new functions and modes of operation as required. To select one or more of these "specialised operating modes" the user simply has to follow the steps below.

1. Turn power off.
2. Set the dip-switches as required to select the required specialised operating modes (shown in table below).
3. Place slide switch to **set** position.
4. Press and hold **CLS** button. Do not release CLS until end.
5. Turn power on while holding CLS button. Both OPN & CLS status LEDs will illuminate.
6. Wait for the status LEDs to turn off and then place the slide switch to **RUN** position.
7. Wait for OPN status LED to light and then place slide switch to set position.
8. Wait for the OPN status LED turn off and the CLS status LED to turn on and then release CLS button.
9. Wait until both the status LEDs have turned off. The selected specialised operating modes are now loaded.

SWITCH	SPECIALISED OPERATING MODE
1 - ON	Anti Jam Closed - Moves gate in close direction for 0.5 secs before opening. Suitable for non limit switch opener. Note: Pulse lock not active until open cycle starts.
2 - ON	Anti Jam Open - Moves gate in open direction for 0.5 secs before closing. Suitable for non limit switch opener. Note: Pulse lock not active until close cycle starts.
3 - ON	Timed Return - allows the time driven in an interrupted cycle for the return (partial) cycle. Note: Time allowed is normal travel time \pm 12.5%
4 - ON	Return Overrun Time- Overrun time of 25% instead of standard 12.5%.
5 - ON	Timed Return for Pedestrian Access - with 12.5% overrun time.
6 - ON	PED has an Open/Stop/Close action in pedestrian access mode. Also PE reverses pedestrian close cycle. Note: If switch set to OFF - PE stops close cycle.
7- ON	PED inputs have swipe action in pedestrian access mode.
8 - ON	
9 - ON	
10 - ON	

INVERTER PARAMETERS

Inverter

The table below shows key parameters and their defaults for the gate opener. To change these settings see below.

FUNCTION	FN	DESCRIPTION	UNIT	RANGE	DEFAULT	NOTE
Accelerate Time	1	Accelerate (Ramp Up) Time	0.1 Sec	0.1 - 999 Secs	1.5 Secs	1, 2
Decelerate Time	2	Decelerate (Ramp Down) Time	0.1 Sec	0.1 - 999 Secs	2.5 Secs	1, 2
SP1 Frequency	8	SP1 Frequency (Motor Speed)	0.1 Hz	30.0 - 70.0Hz	30Hz	1

Note 1: This parameter can be adjusted during running mode.

Note 2: When setting changes to 100, unit setting becomes 1 instead of 0.1.

CHANGING RAMP UP (SOFT START) Time

Acceleration and Deceleration times are factory preset but can be changed if required.

Note: When changing Ramp Up/Ramp Down time the limits must be set in a position to initiate deceleration.

To change Accelerate Time:

1. Press DSP/FUN button.
2. Press UP ARROW to select FN01.
3. Press DATA/ENT button to enter adjust mode.
4. Press UP ARROW or DOWN ARROW to select new time.
5. Press DATA/ENT to set time.
6. Press DSP/FUN button to finish.

To change Decelerate Time:

1. Press DSP/FUN button.
2. Press UP ARROW to select FN02.
3. Press DATA/ENT button to enter adjust mode.
4. Press UP ARROW or DOWN ARROW to select new time.
5. Press DATA/ENT to set time.
6. Press DSP/FUN button to finish.

Note: If opening and closing speed is to be the same, then remove the wire link between REV and SP1 terminal (**Fig.12**).

To change Closing Speed:

1. Press DSP/FUN button.
2. Press UP ARROW to select FN08.
3. Press DATA/ENT button to enter adjust mode.
4. Press UP ARROW or DOWN ARROW to select new time.
5. Press DATA/ENT to set time.
6. Press DSP/FUN button to finish.

To change Opening Speed.

While display is flashing use UP ARROW or DOWN ARROW to raise or lower speed (in Hz).

FIG. 11

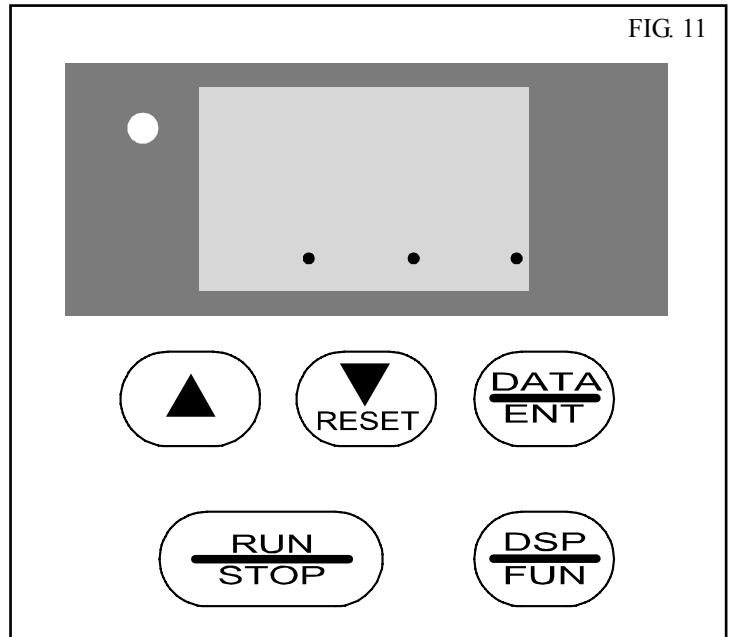
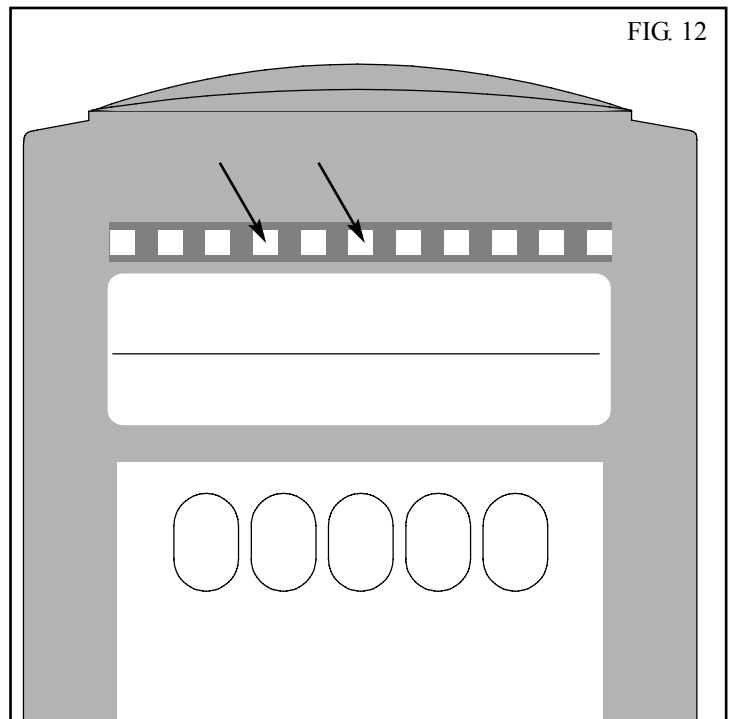


FIG. 12



POWER UP

FINAL SET UP AND POWER UP

1. Tighten manual release wheel (torque limiter) on back of gear box. Make sure clutch allows gate to slip easily.
2. Move gate manually to half way point and turn power on.
3. Press transmitter or controlling input to move gate. Gate should move in open direction.

Note: If gate is closing: stop, disconnect power and reverse motor wires on M1 terminal on control board. (Fig. 12).

3. Remove cover of limit switch housing.
4. Verify which limit cam stops the gate in each direction and use flat screwdriver to adjust so that gate stops in fully open and fully closed position.
5. Refit limit switch housing cover.

Note: Limit cams should not stop the gate too early (i.e. before reaching stops) and not too late (i.e. so that torque limiter engages).

6. Tighten manual release wheel (torque limiter) enough for the drive unit to be powerful but with enough freedom to gate to slip if obstructed.
7. Inspect and test all safety devices.
8. Test lock (if fitted).
9. Refit Drive Unit cover.

MANUAL RELEASE

In the event of emergency or power failure the following procedure switches the gate into manual operation.

1. Turn power off.
2. Open side door with key provided.
3. Turn manual release wheel counter-clockwise to release friction clutch.

To reengage the opener.

1. Turn manual release wheel clockwise to engage friction clutch.

Note: Make sure that manual release is tightened sufficiently to move the gate but with enough freedom for gate to slip if obstructed.

FIG. 13

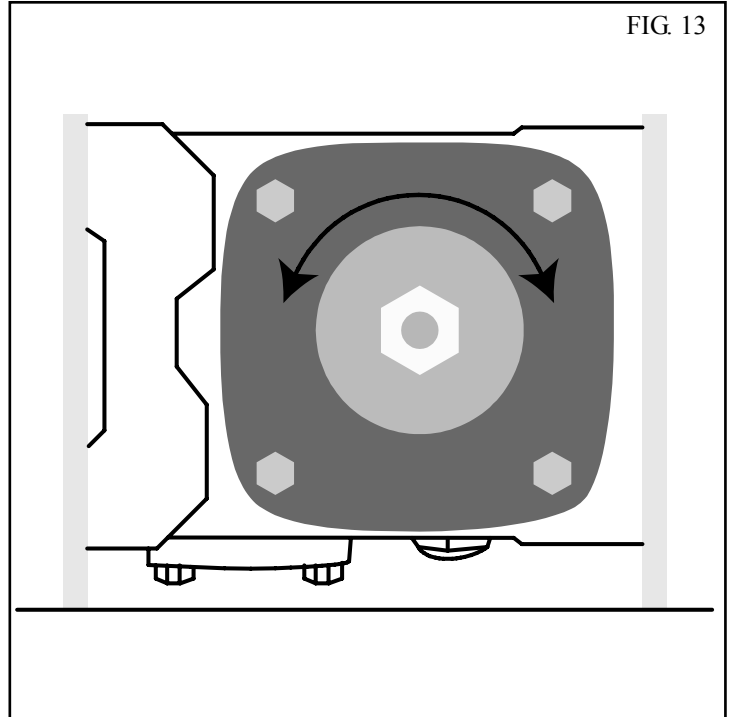
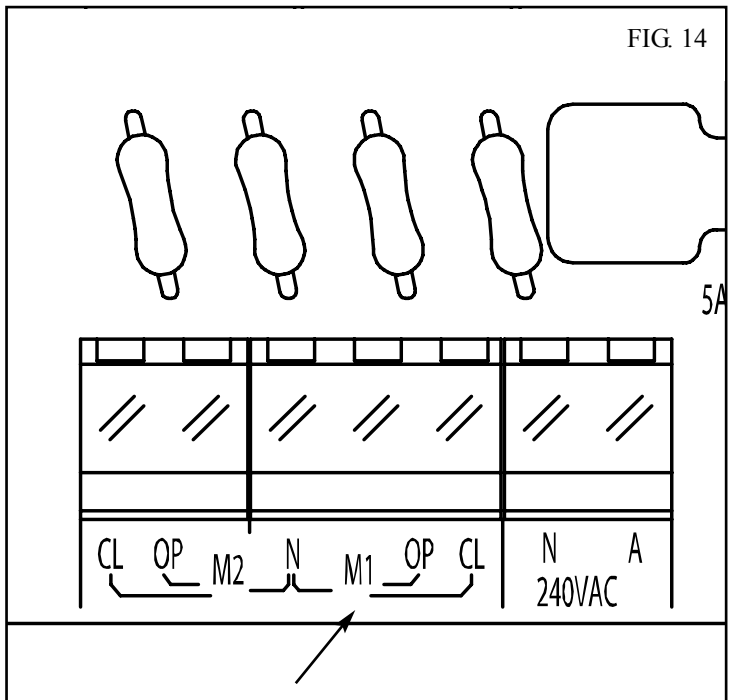


FIG. 14



MAINTENANCE

RECOMMENDED MAINTENANCE

Gate and Drive Unit should be inspected and serviced at regular intervals based on usage. The table at right indicate ideal maintenance schedules based on duty cycle.

The following elements should be examined at each service:

- Gate rolls freely.
- Gates guide rollers in good condition.
- Gate stops correctly.
- Gate track in good condition.
- No oil leak from Drive Unit gearbox.
- Drive Unit retaining bolts secure.
- Drive Unit clean inside (no debris or insects, etc.).
- Insect surface spray around Drive Unit (not inside).
- Inspect electrical connections.
- Limit switches engage correctly.
- External safety devices operate correctly.
- Electromagnetic/Pulse Locks operate correctly.
- General operation - travel speed auto-close etc. satisfactory.

DAILY DUTY CYCLES	RECOMMENDED MAINTENANCE
Over 150	every 1 month
100 - 150	every 2 months
50-99	every 4 months
20 - 49	every 6 months
Under 20	every 12 months

DATE	MAINTENANCE PERFORMED BY	SIGNATURE	AMOUNT	INV. No.

SPECIFICATIONS

TECHNICAL SPECIFICATIONS

MODEL:	Pro Series 200
DUTY CYCLE:	100%
MOTOR POWER:	180W
INPUT VOLTAGE:	230V / 240V AC 50Hz Single Phase
OUTPUT VOLTAGE:	240V AC Three Phase
INVERTER (MODEL):	T-Verter E2 Series
TRANSFORMER PRIMARY VOLTAGE:	230V / 240V AC
SECONDARY VOLTAGE:	24V AC 100 VA
CONTROLLER VOLTAGE:	24V DC
OPENER PULL RATING:	Up to 45Kg
DRIVE SPEED:	7 - 10 secs for 90° (Adjustable)
MAXIMUM GATE LEAF:¹	SIZE: Up to 4000W x 2000H (mm)
	WEIGHT: Up to 400Kg
DRIVE UNIT DIMENSIONS:	390H x 390W x 255D (mm)
CONTROLLER DIMENSIONS:	400H x 300W x 200D (mm)
DRIVE UNIT WEIGHT:	43Kg (including arms)

MODEL:	Pro Series 400
DUTY CYCLE:	100%
MOTOR POWER:	370W
INPUT VOLTAGE:	230V / 240V AC 50Hz Single Phase
OUTPUT VOLTAGE:	240V AC Three Phase
INVERTER (MODEL):	T-Verter E2 Series
TRANSFORMER PRIMARY VOLTAGE:	230V / 240V AC
SECONDARY VOLTAGE:	24V AC 100 VA
CONTROLLER VOLTAGE:	24V DC
OPENER PULL RATING:	Up to 90Kg
DRIVE SPEED:	8 - 10 secs for 90° (Adjustable)
MAXIMUM GATE LEAF:¹	SIZE: Up to 6000W x 2000H (mm)
	WEIGHT: Up to 500Kg
DRIVE UNIT DIMENSIONS:	420H x 505W x 305D (mm)
CONTROLLER DIMENSIONS:	400H x 300W x 200D (mm)
UNIT WEIGHT:	70Kg (including arms)

Note:

1. The maximum size of gate that the opener can be installed on is based on a bar type leaf without cladding. The gate must be well balanced. A person of average strength should be able to move the gate manually with minimal effort in case of an emergency.

WARRANTY AND EXCLUSION OF LIABILITY

1. This warranty is an addition to any non-excludable conditions or warranties that are implied into this contract by relevant statute, including the Trade Practices Act 1974 (Cth).
2. Subject to all of the matters set out below, Automatic Technology Australia Pty Ltd ("ATA") warrants:
 - (a) the Axess Pro Series Opener for twelve (12) months,
 - (b) all components and accessories for twelve (12) months, from the date of purchase (specified in the sales docket receipt) as free of any defects in material and workmanship.
3. This warranty applies only where the purchaser:
 - (a) immediately notifies ATA or the retailer of the alleged defect;
 - (b) returns the product to the retailer; and
 - (c) presents the relevant sales docket and this warranty document to the retailer to confirm the date of purchase.
4. Except for this warranty, ATA gives no warranties of any kind whatsoever (whether express or implied), in relation to the product, and all warranties of whatsoever kind relating to the product are, to the extent permissible by statute, hereby excluded.
5. To the extent permissible by statute, ATA disclaims any liability of whatsoever nature in respect of any claim or demand for loss or damage which arises out of:
 - a) accidental damage to or normal wear and tear to the product or to the product's components;
 - b) any cost relating to damage resulting from wear and tear;
 - c) blown fuses, loss or damage caused by electrical surges, power surges or power spikes;
 - d) loss or damage due to theft, fire, flood, rain, water, lightning, storms or any other acts of God;
 - g) gate weight exceeding that as specified in the product specifications;
 - h) gate not in safe and correct working order and condition;
 - i) evidence of unauthorised repairs;
 - j) any cost relating to damage caused by misuse, negligence or failure to maintain the equipment in a proper working order as per clauses (d) through (i);
 - k) installation, adjustment or use which is not in accordance with the instructions set out in installation instruction manual;
 - l) attempted or complete modification or repairs to the product carried out by a person who is not authorised or has not been trained by ATA to carry out such modification or repairs;
 - m) faulty or unsuitable wiring of structure to which the product is fixed or connected;
 - n) radio (including citizen band transmission) or any electrical interference;
 - o) damage caused by insects;
 - p) loss or damage to any property whatsoever or any loss or expense whatsoever resulting or arising there from or any consequential loss;
 - q) any cost or expense arising due to manufacturer recall of any product;
 - r) any cost or expense due to negligence of the approved service provider;
6. ATA's liability under this warranty is limited, at ATA's absolute option, to replacing or repairing the product which ATA, in its unfettered opinion, considers to be defective either in material and/or workmanship or to credit the dealer with the price at which the product was purchased by the dealer.
7. This warranty does not extend to cover labour for installation.
8. This warranty is limited to Return-to-Base (RTB) repair and does not cover labour for on-site attendance.
9. This warranty is void if the Product is not returned to the manufacturer in original or suitably secure packaging.
10. This warranty is only applicable for repairs to the product carried out within Australia.
11. This warranty does not cover consumable items including globes, batteries and fuses.
12. This warranty is not transferable.
13. Where the Product is retailed by any person other than ATA, except for the warranty set out above, such person has no authority from ATA to give any warranty or guarantee on ATA's behalf in addition to the warranty set out above.

Notes:

1. One (1) cycle = one (1) open and one (1) close action of the gate.
2. This warranty is to be read in conjunction with the owner's copy of the installation instruction manual.

Purchased From _____	Phone _____
Installed By _____	Date _____
Serial No. _____	

NOTES

AUTOMATIC TECHNOLOGY AUSTRALIA PTY LTD

ABN 11 007 125 368

17-19 Advantage Rd, Highett, Victoria, Australia 3190

Tel: +61 3 9532 2788 Fax: +61 3 9532 2799

Web: www.ata-aust.com.au Email: sales@ata-aust.com.au