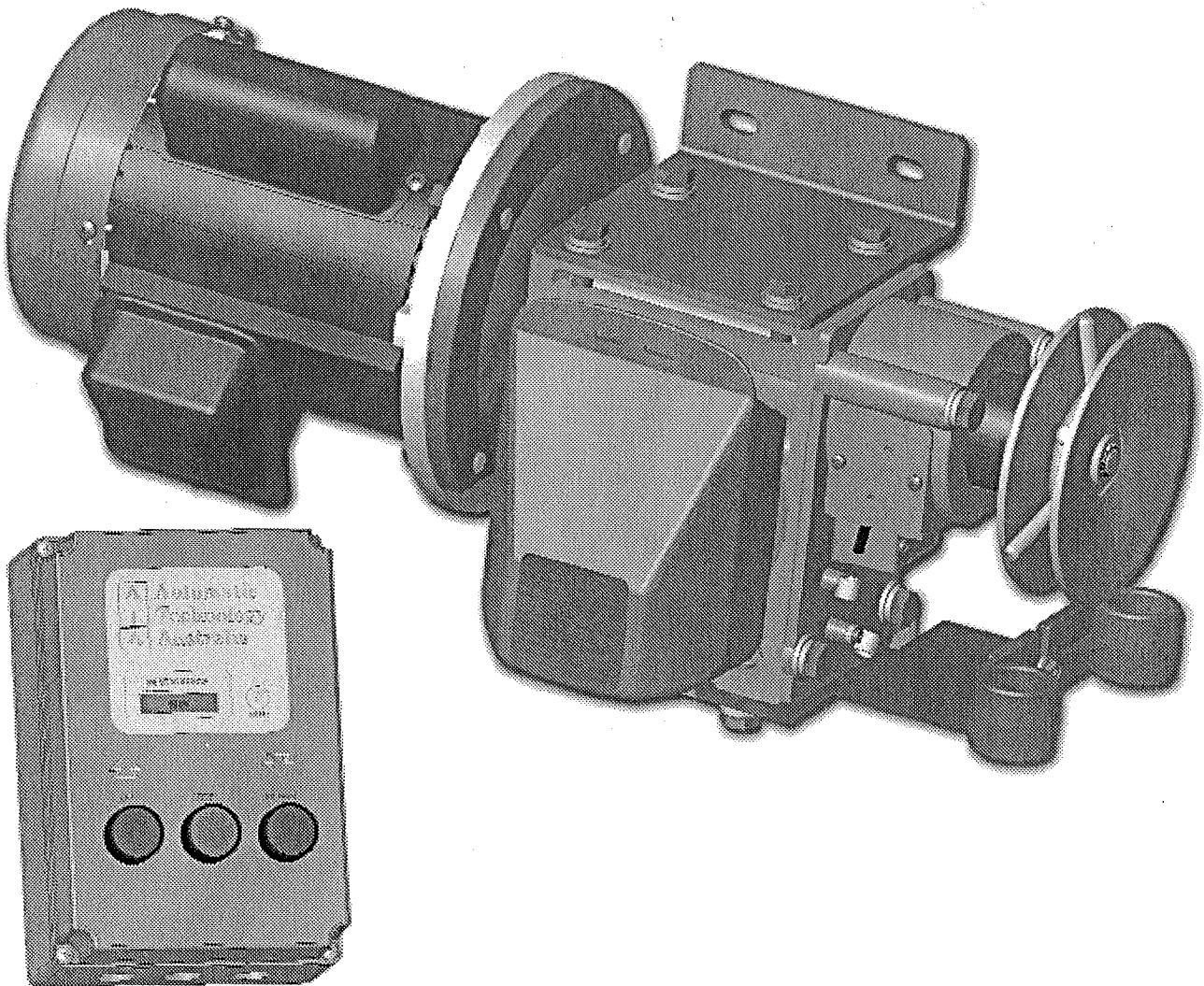


AUTOMATIC TECHNOLOGY AUSTRALIA PTY LTD

axess

Pro Series 2100, 2130 COMMERCIAL ROLLER SHUTTER OPENER



OWNERS COPY

Installation Instructions

WARNING

It is vital for the safety of persons to follow all instructions. Failure to comply with the installation instructions and the safety warnings may result in serious personal injury and/or property and remote control opener damage. Please save these instructions for future reference.

CONTENTS

PAGE CONTENTS

3	IMPORTANT SAFETY WARNINGS
3	FEATURES
4	PRODUCT DESCRIPTION
5	DRIVE UNIT INSTALLATION
7	WIRING DIAGRAM SINGLE PHASE - LEFT HAND INSTALLATION
8	WIRING DIAGRAM SINGLE PHASE - RIGHT HAND INSTALLATION
9	WIRING DIAGRAM THREE PHASE - LEFT HAND INSTALLATION
10	WIRING DIAGRAM THREE PHASE - RIGHT HAND INSTALLATION
11	SETTING TRAVEL LIMITS
11	SPECIFICATIONS
12	MAINTENANCE RECORD
13	PARTS LIST
15	WARRANTY AND EXCLUSION OF LIABILITY

Automatic Technology Australia Pty Ltd to the extent that such may be lawfully excluded hereby expressly disclaims all conditions or warranties, statutory or otherwise which may be implied by laws as conditions or warranties of purchase of an Automatic Technology Australia Pty Ltd automatic opener and Automatic Technology Australia Pty Ltd hereby further expressly excludes all or any liability for any injury, damage, cost, expense or claim whatsoever suffered by any person as a result whether directly or indirectly from failure to install the Automatic Technology Australia automatic opener in accordance with these installation instructions.

PLEASE READ THESE IMPORTANT SAFETY RULES

Warning - It is vital for the safety of persons to follow all instructions. Failure to comply with the following Safety Rules may result in serious personal injury and/or property damage.



DO NOT operate the opener unless the door is in full view and free from objects such as cars and persons. Make sure that the door has finished moving before entering or leaving the driveway.



DO NOT operate the opener when persons are near the door. Children must be supervised near the door at all times when the opener is in use. **SERIOUS PERSONAL INJURY** and/or property damage can result from failure to follow this warning.



DO NOT allow children to operate the opener. **SERIOUS PERSONAL INJURY AND/OR PROPERTY DAMAGE** can result from failure to follow this warning.



Frequently examine the installation, in particular guides and mountings for signs of wear, damage or imbalance. **DO NOT** use if repair or adjustment is needed since a fault in the installation or an incorrectly balanced door may cause injury.



The opener is not showerproof - it should not be immersed in water or sprayed directly by a hose or other water carrying device.



The door must be **WELL BALANCED**, and in good working order. A faulty door must be repaired by a qualified technician prior to opener installation.



REMOVE OR DISENGAGE all locks and mechanisms prior to installation of the opener.



Keep hands and loose clothing **CLEAR** of the door and opener at all times.



Make sure that the door is fully open before driving into or out of the driveway. And make sure the door is fully closed before leaving the driveway.



The opener is not intended for use by young children or infirm persons without adequate supervision. Children should be supervised to ensure that they do not play with the opener.

FEATURES

Thank you for purchasing the ATA Axxess Automatic Opener. This opener is designed to suit commercial heavy duty roller shutter doors. The components and materials used in this opener are of the latest technology and highest quality.

OPERATOR CONTROL BOX

Incorporated into the contactors box is three momentary contact switches to open, close or stop the door. The UP button will open the door fully unless the STOP button is pressed to interrupt the cycle. The DOWN button must be pressed continuously to close the door.

MANUAL OPERATION

The opener is equipped with a unique manual operation device. If the power to the opener is disrupted for any reason the clutch disengages and the door can move manually via the manual chain. When power is restored the clutch re-engages to allow automatic operation.

PRODUCT DESCRIPTION

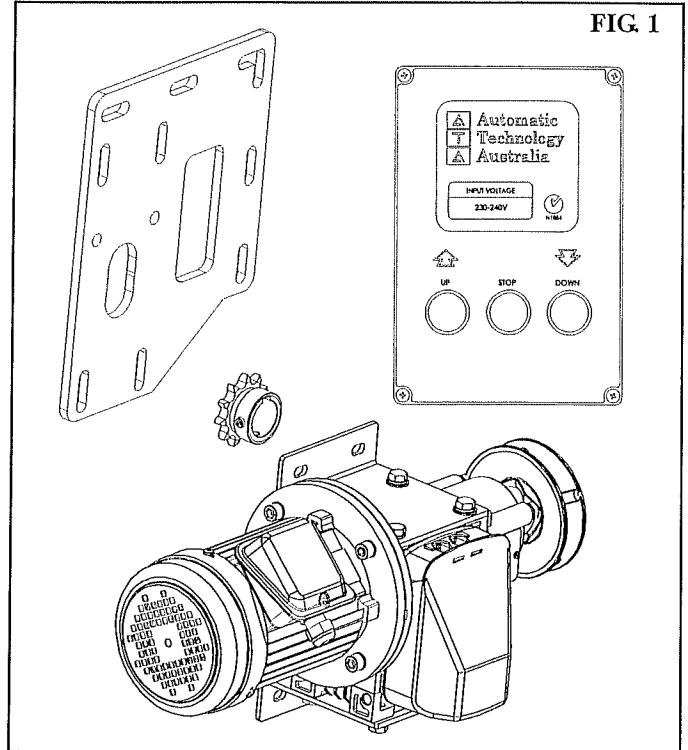
The ATA Axess Roller Shutter Opener consists of one drive unit, and contactors box.

CONTACTORS/CONTROL BOX

Housed in a commercial grade heavy duty enclosure is a set of magnetic contactors and momentary contact switches. A standard 240V AC power outlet is required to power the system. The enclosure meets the IP55 standard for ingress of dust and water.

MECHANICAL DRIVE UNIT

The drive unit consists of a powerful 240V single phase (or three phase) motor, rugged gearbox and position encoder. It includes a clutch mechanism to allow easy manual operation and is rated to IP42 standard.



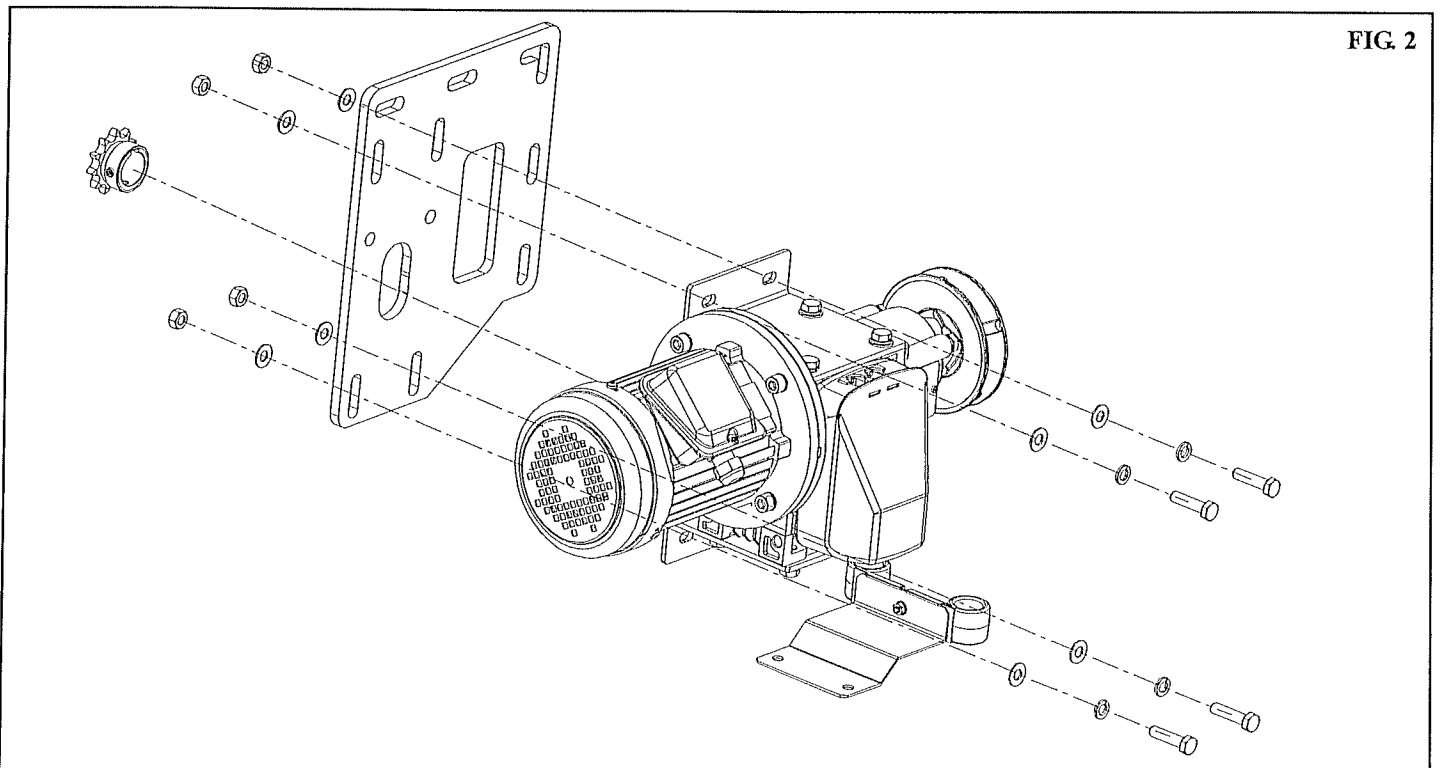
DRIVE UNIT INSTALLATION

The ATA Axess Roller Shutter Opener is designed to operate most commercial and heavy duty slat roller shutter doors. The doors must be in good working condition and travel freely in the guides.

1. The door moves freely for the full travel in both directions.
2. The mounting must be solid construction (concrete, brick or steel). It must be able to withstand the full force applied to the door.
3. There is a 240V 10Amp power point located within 1 metre of control box.

INITIAL CHECK

Before commencing installation check the following:



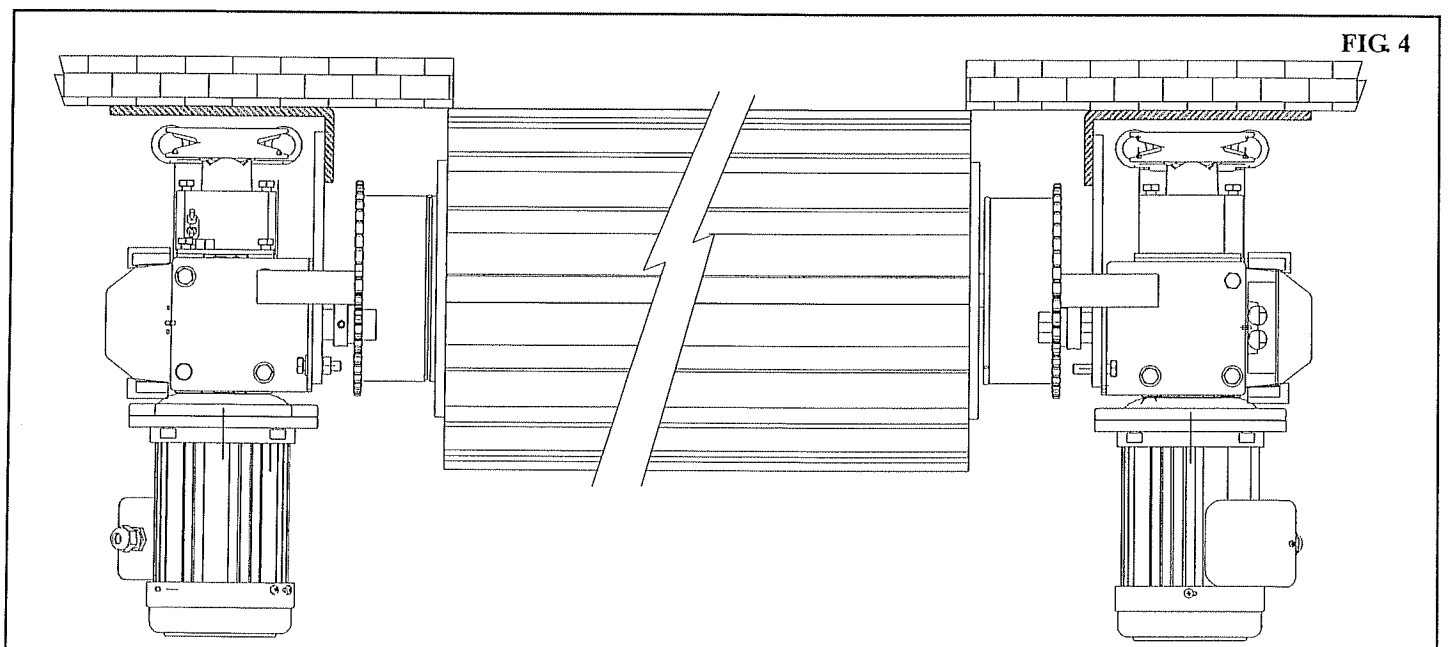
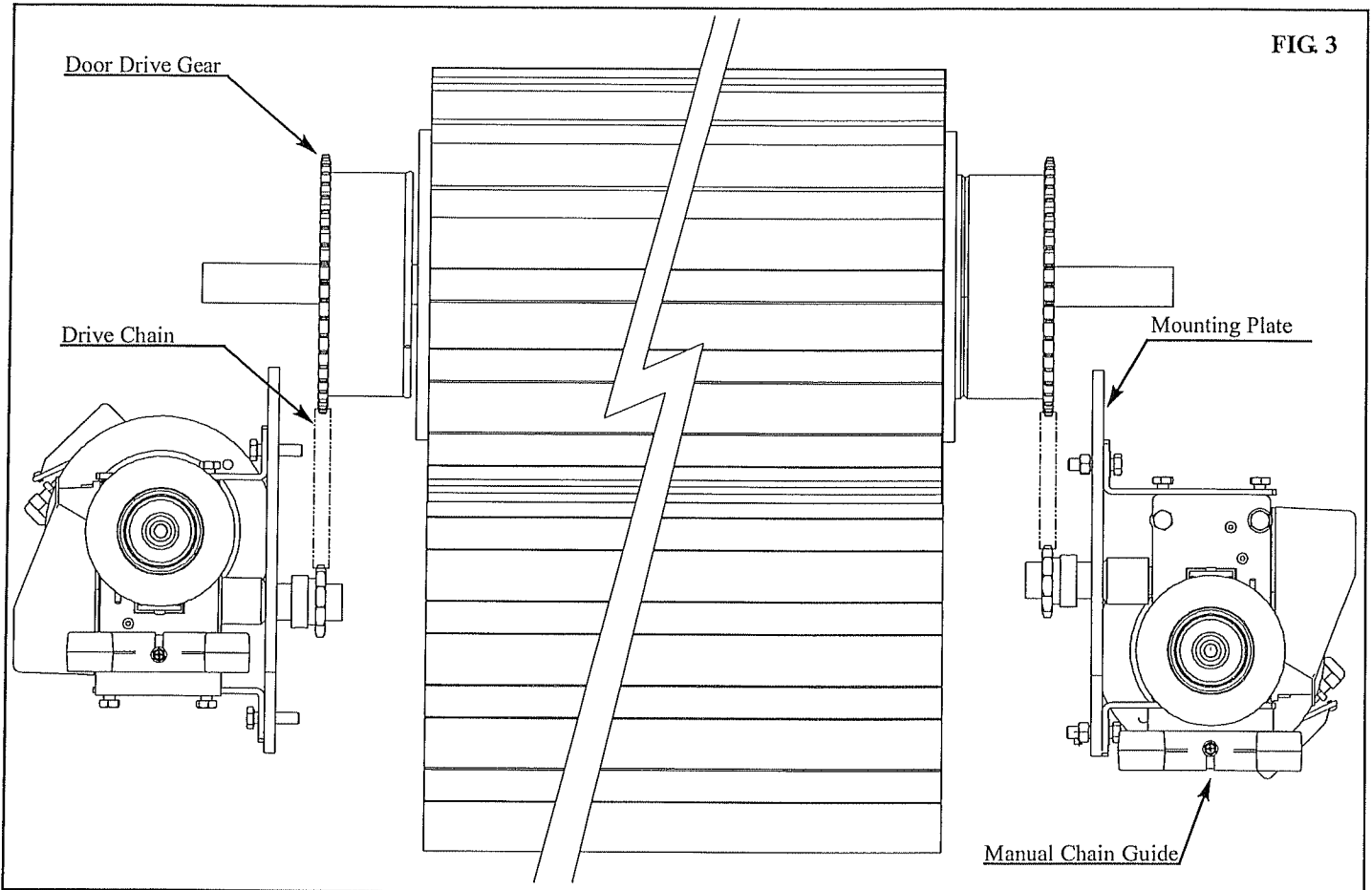
DRIVE UNIT INSTALLATION

MOUNTING THE DRIVE UNIT

The mounting plate holes are slotted for fine adjustment of the output gear position. Follow the procedure below to ensure final adjustments can be made later.

1. Determine on which side of the door the opener is to be mounted.
2. Install manual chain guide as required.

3. Mount the base plate to door bracket either by welding in place or using M12 hex bolts, washers and nuts.
4. Position opener and secure with M10 fasteners.
5. Mount drive sprocket on shaft in line with door drive gear.
6. Shorten drive chain as required and fit around drive gears.
7. Feed manual chain through guide and over pulley.
8. Shorten chain as required and fix ends to make a loop.



INITIAL ELECTRICAL INSTALLATION

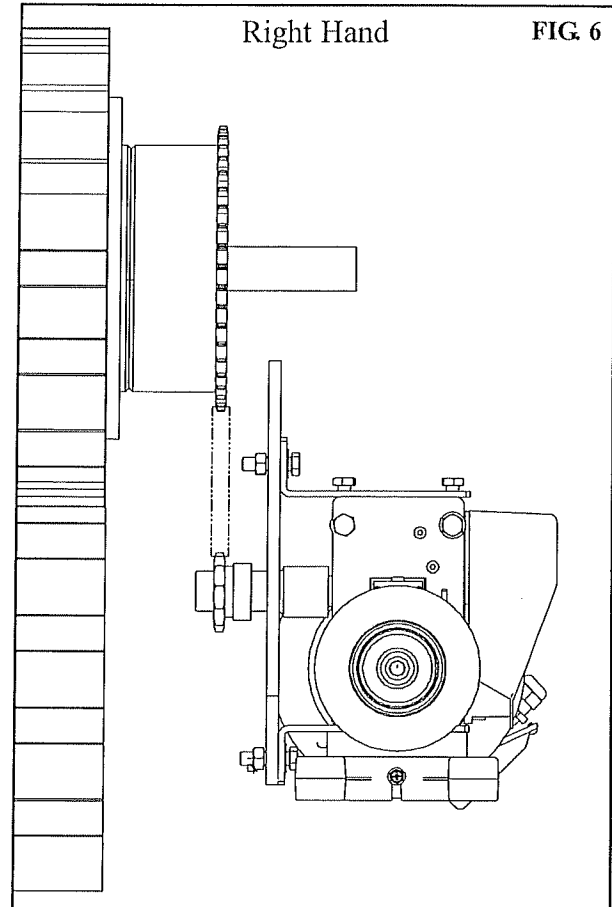
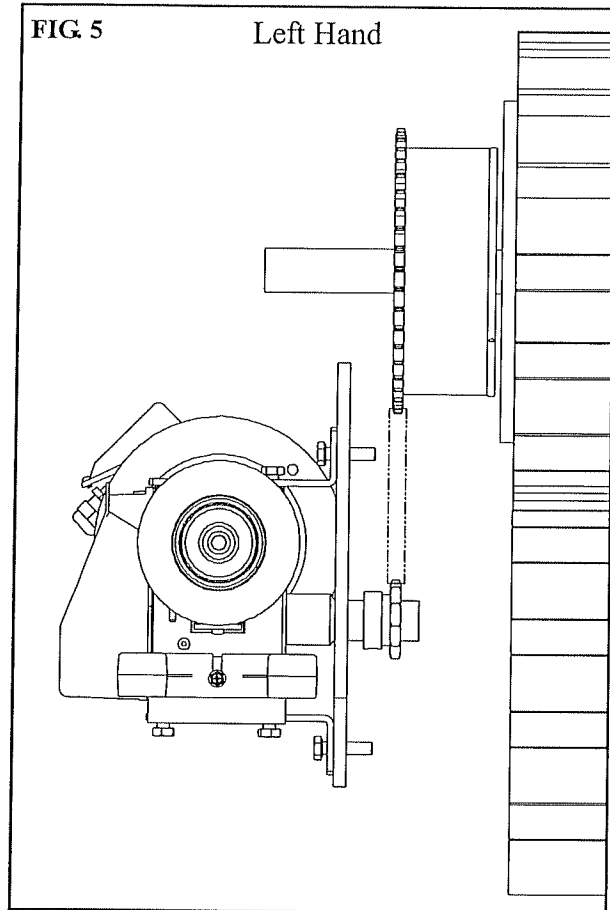
CAUTION:

CABLES WHICH HAVE A GREEN/YELLOW COLOURED INSULATION ARE FOR EARTHING PURPOSES ONLY. NEVER USE THESE CABLES FOR ANY OTHER PURPOSE.

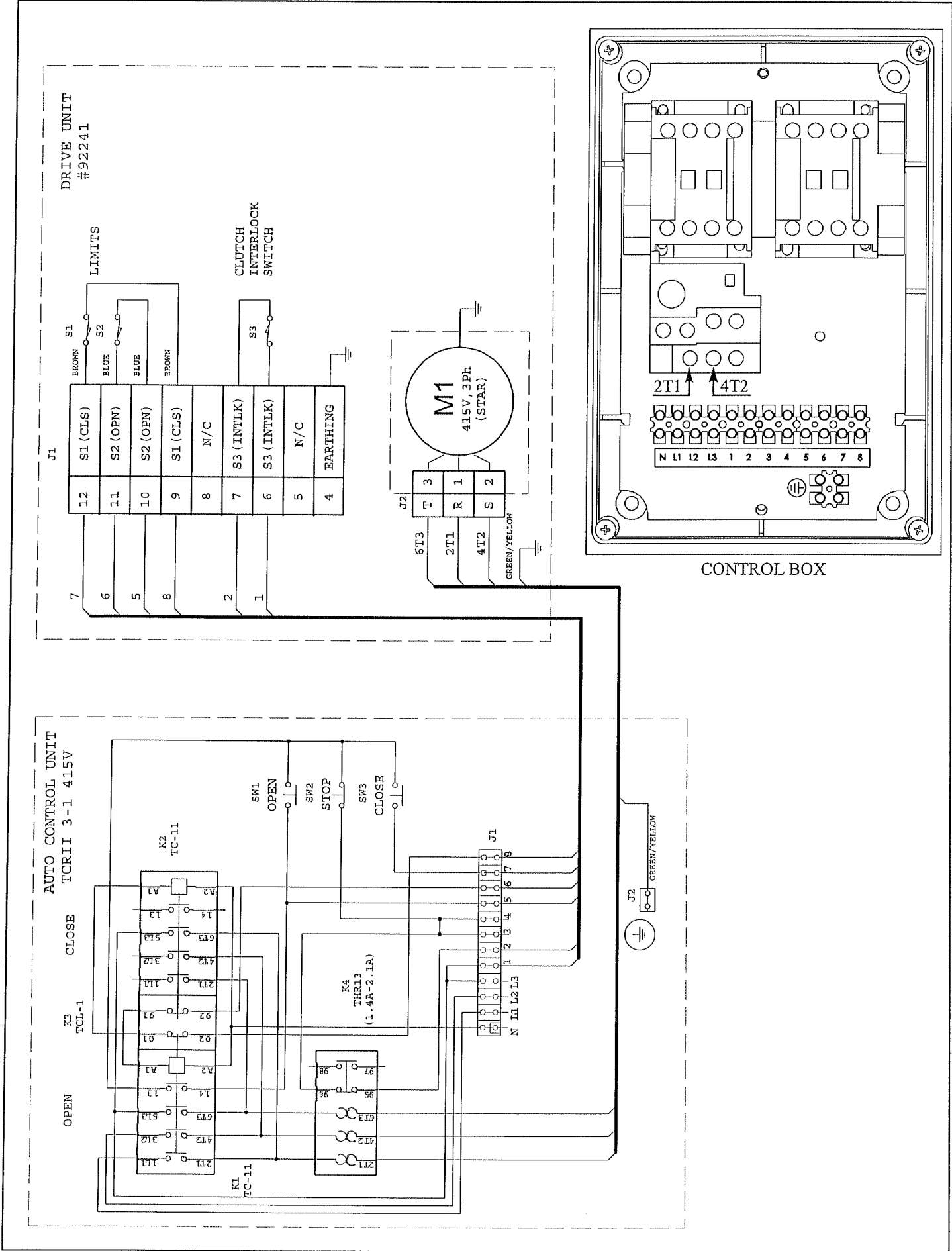
SELECTING LEFT OR RIGHT HAND INSTALLATION.

Using the figure below, place the motor connector for each drive unit so as to reflect the side of the doorway that it is installed.

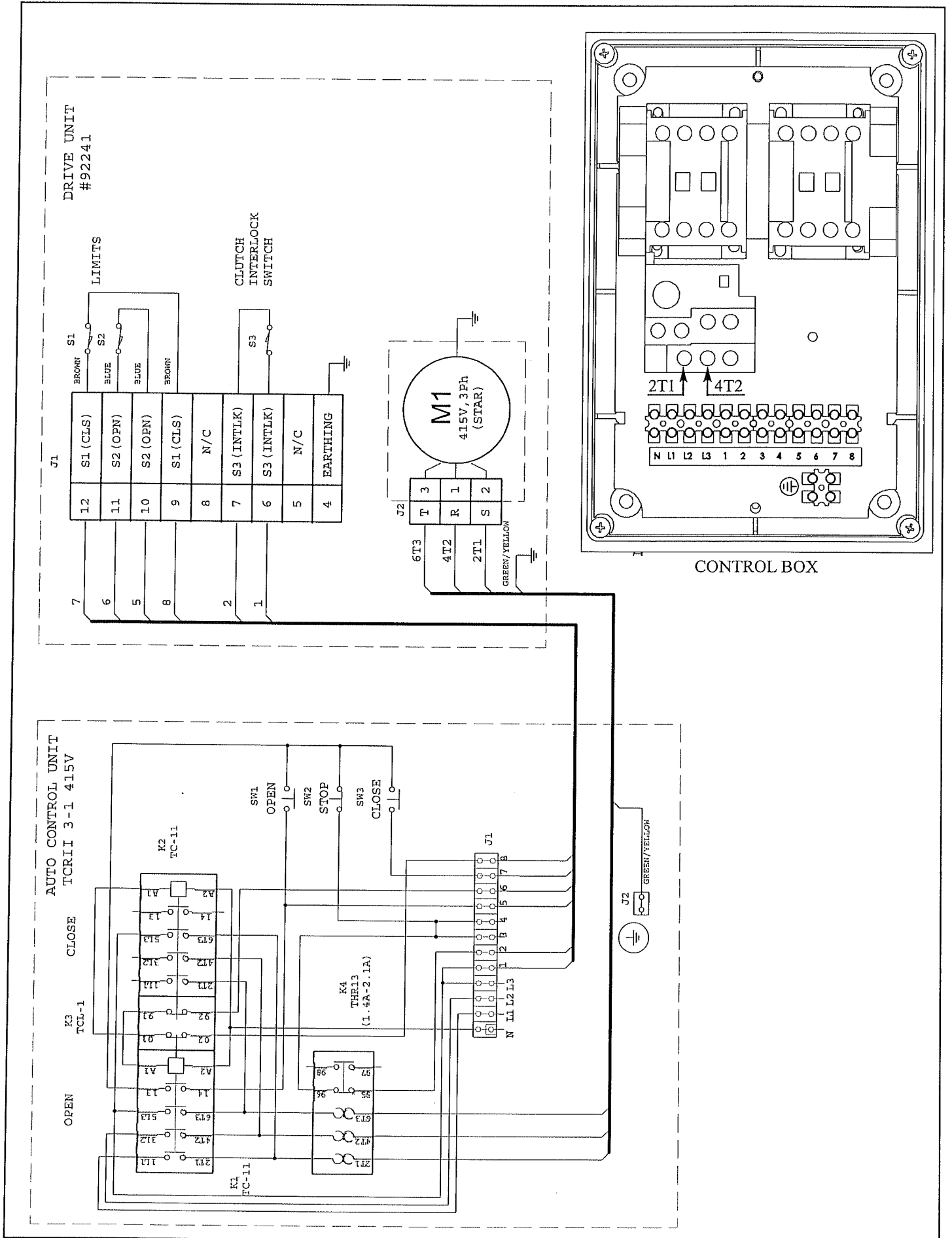
NOTE: The wiring diagrams on pages 7 & 8 depict right hand installation. If left hand installation is required interchange wires at 2T1 and 4T2 on overload relay(K4) in control box.

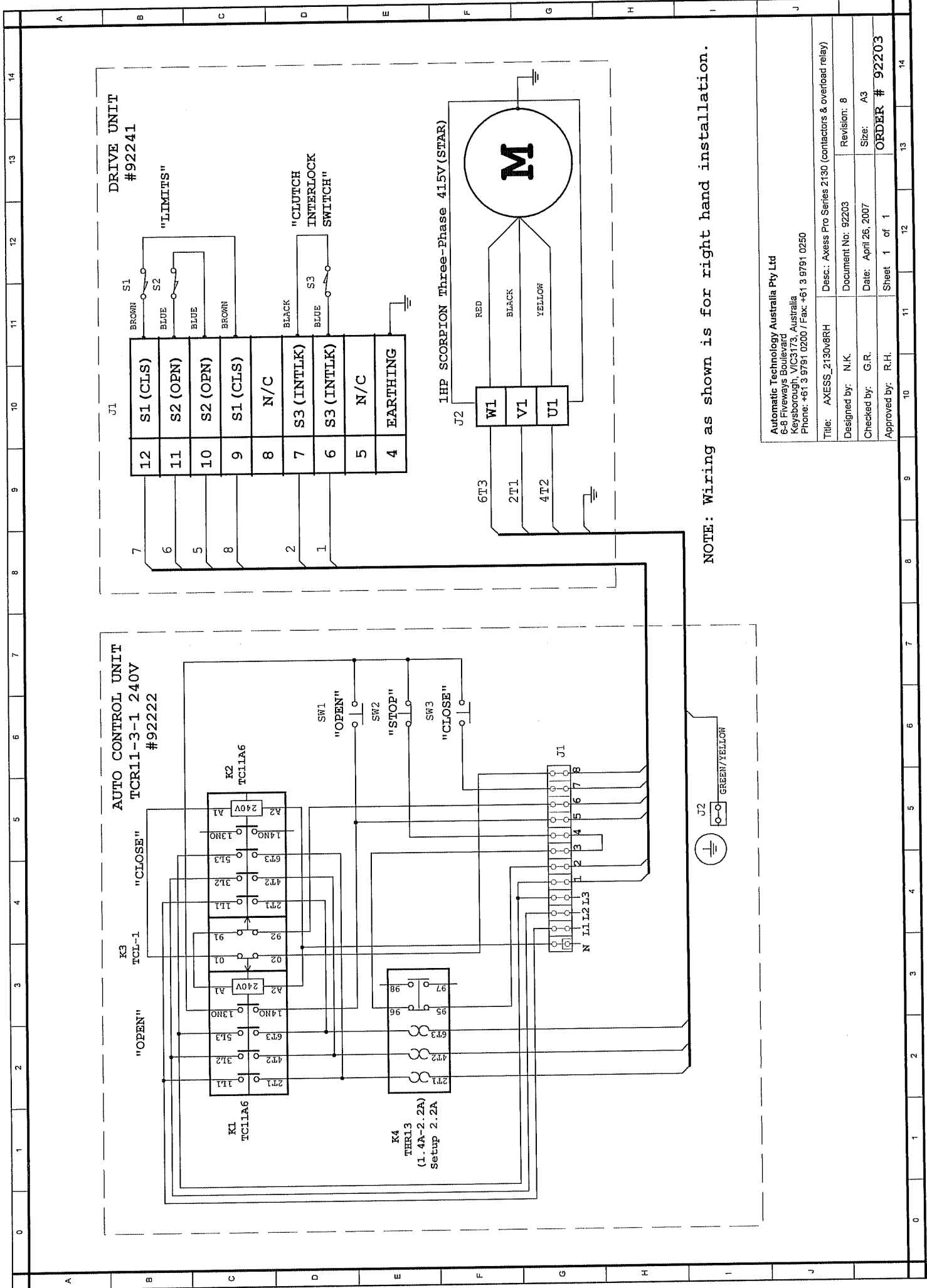


WIRING DIAGRAM THREE PHASE - LEFT HAND



WIRING DIAGRAM THREE PHASE - RIGHT HAND

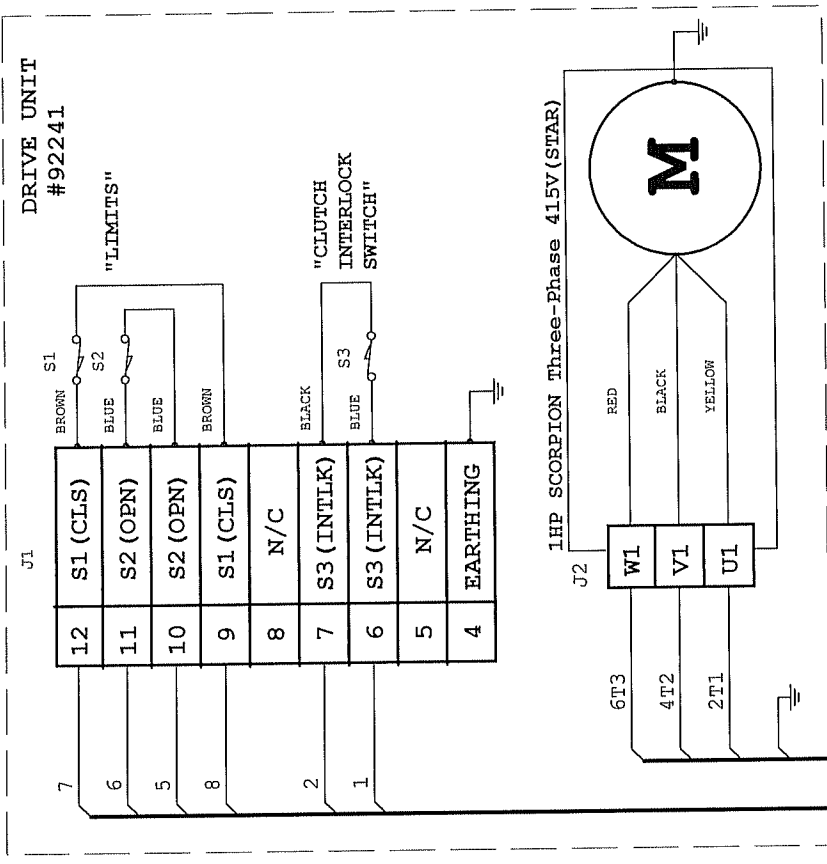
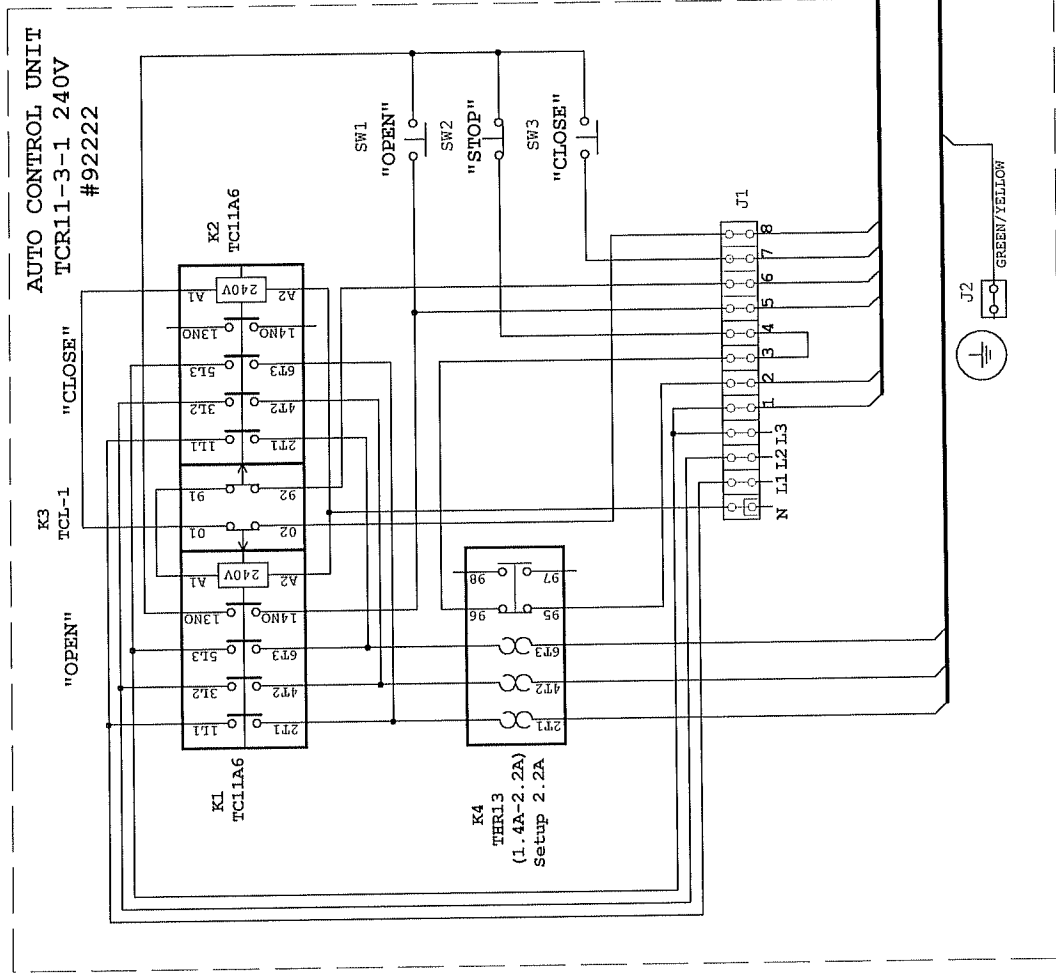




NOTE: Wiring as shown is for right hand installation.

Automatic Technology Australia Pty Ltd
 6-8 Fiveways Boulevard
 Keysborough, VIC3173, Australia
 Phone: +61 3 9791 0200 / Fax: +61 3 9791 0250

Title: AXESS_2130v8RH	Desc: Axess Pro Series 2130 (contactors & overload relay)
Designed by: N.K.	Document No: 92203
Checked by: G.R.	Date: April 26, 2007
Approved by: R.H.	Sheet 1 of 1
Revision: 8	Size: A3
ORDER # 92203	



NOTE: Wiring as shown is for left hand installation.

Automatic Technology Australia Pty Ltd 6-8 Fiveways Boulevard Keysborough, VIC3173, Australia Phone: +61 3 9791 0200 / Fax: +61 3 9791 0250	
Title: AXESS_2130v9LH	Desc.: Axess Pro Series 2130 (contactors & overload relay)
Designed by: N.K.	Document No: 92203
Checked by: G.R.	Date: April 26, 2007
Approved by: R.H.	Sheet 1 of 1
Revision: 9	Size: A3
ORDER # 92203	

SETTING TRAVEL LIMITS

SETTING DOOR TRAVEL LIMITS

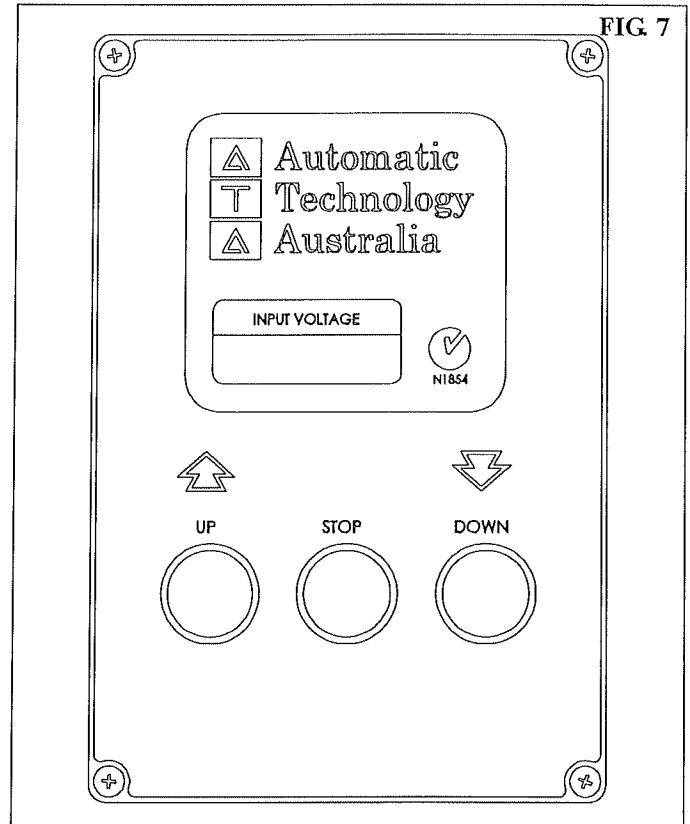
Note: Door should be moved manually to half open position.

1. Press UP button to move door to desired open position (Fig. 7).
2. If desired position is reached and green OPEN limit cam is not in contact with limit switch, adjust cam until limit switch "clicks".

Note: If green limit cam activates switch before desired open position is reached then, rotate cam clockwise, then press UP button to continue travel to desired open position. Repeat step 2 above if necessary.

3. Press DOWN button to move door to desired closed position.
4. If desired position is reached and red CLOSE limit cam is not in contact with limit switch, adjust cam until limit switch "clicks".

Note: If red limit cam activates switch before desired closed position is reached then, rotate cam anticlockwise, then press DOWN button to continue travel to desired closed position. Repeat step 4 above if necessary.

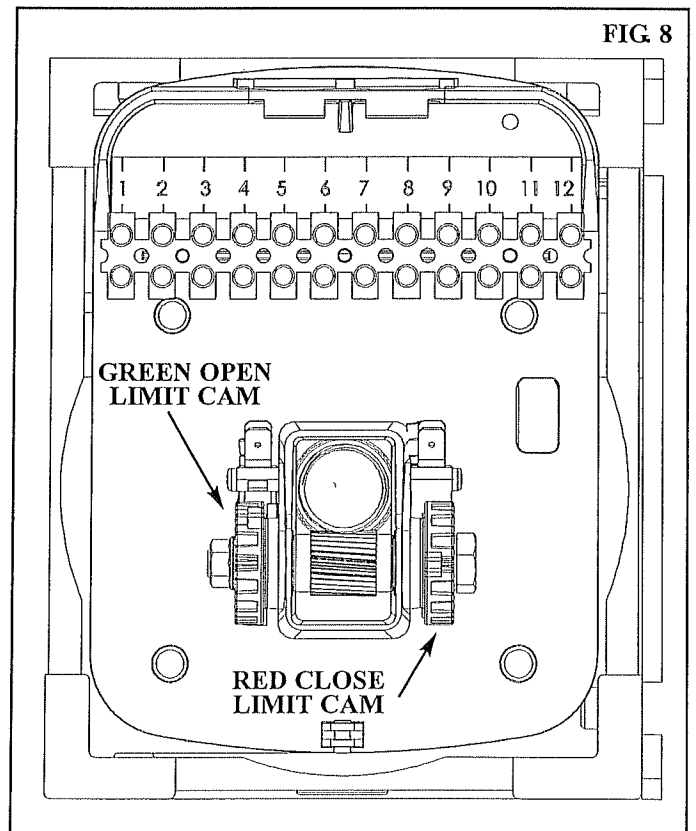


SPECIFICATIONS

TECHNICAL SPECIFICATIONS

INPUT VOLTAGE:	240V AC 50Hz Single Phase or 415V AC 50Hz Three Phase
MOTOR TYPE:	Induction
MOTOR VOLTAGE:	240V Single Phase or 415V Three Phase
MOTOR RATING:	1 H.P. (0.75kW)
MAXIMUM DOOR SIZE:	18m ²
MAXIMUM DOOR HEIGHT:	4700mm (11-Tooth sprocket)
MAXIMUM DOOR HEIGHT:	6000mm (14-Tooth sprocket)
DRIVE UNIT WEIGHT:	23Kg
CONTROL BOX WEIGHT:	2Kg

Please Note: Specifications are subject to change without notice.



MAINTENANCE

RECOMMENDED MAINTENANCE

The door and opener should be inspected and serviced at regular intervals based on usage. The table at right indicate ideal maintenance schedules based on duty cycle.

The following elements should be examined at each service:

- Door rolls freely.
- Door guides in good condition.
- Door stops correctly.
- No oil leak from opener gearbox.
- Opener retaining bolts secure.
- Opener is clean (no debris or insects, etc.).
- Insect surface spray around opener (not electronics).
- Inspect electrical connections.
- Limit switches engage correctly.
- External safety devices operate correctly.
- General operation is satisfactory.

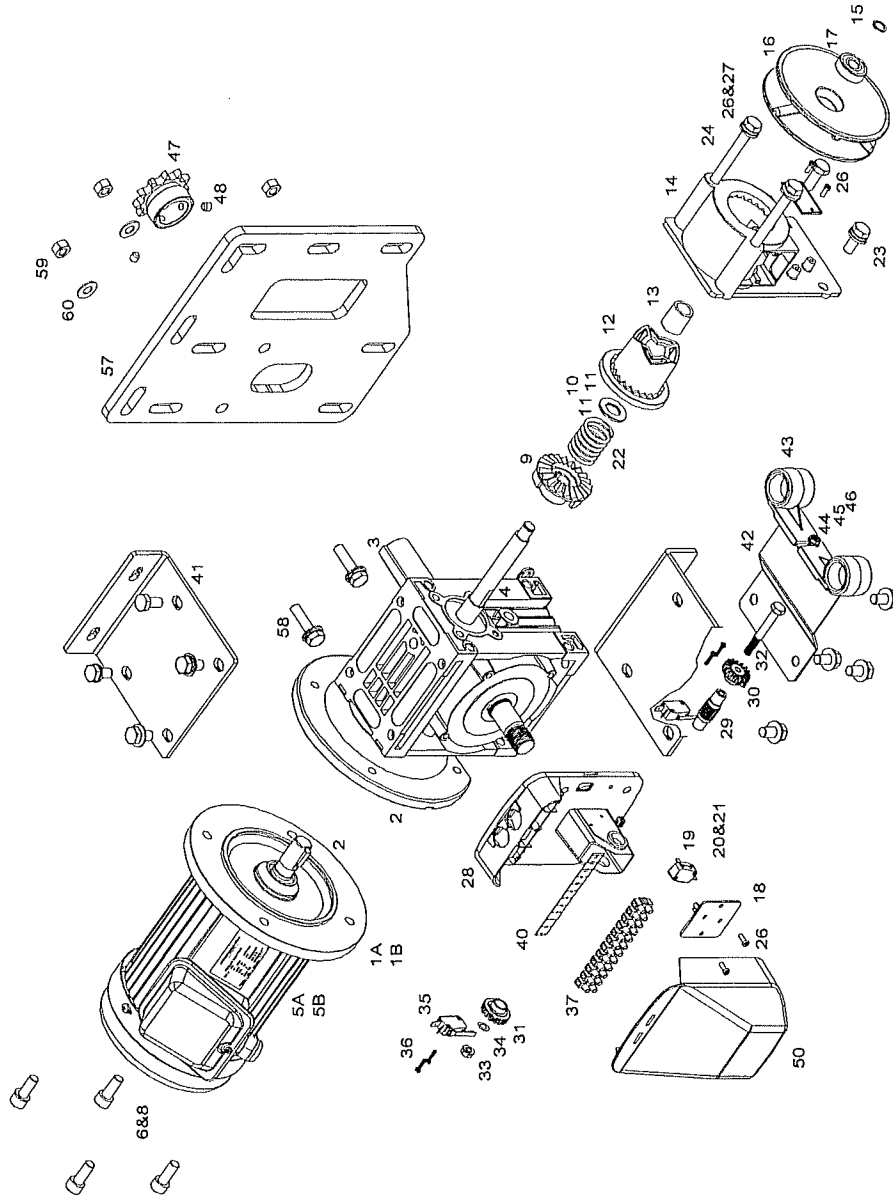
DAILY DUTY CYCLES	RECOMMENDED MAINTENANCE
Over 150	every 1 month
100 - 150	every 2 months
50 - 99	every 4 months
20 - 49	every 6 months
Under 20	every 12 months

MAINTENANCE RECORD

DATE	MAINTENANCE PERFORMED BY	SIGNATURE	AMOUNT	INV. No.

PARTS LIST

ITEM NO.	DESCRIPTION	ORDER CODE
1A	AC MOTOR 0.75W 1P 240V	14521
1B	AC MOTOR 0.75 3P 415V DELTA	14520
2	REDUCER LM-NEM 60WV 1/4S	14505
3	KEY 8765	04407
4	KEY 5525	04402
5A	LABEL AC MOTOR 0.75kW 1P	16564
5B	LABEL AC MOTOR 0.75kW 3P	16554
6	SOC CAP HEAD SCREW M10X25	10074
7	KEY 8625	04642
8	SPRING WASHER I.D.10	10490
9	FIXED GEAR	15322
10	THRUST BEARING AXK 1730	14330
11	THRUST RACE AS 1730	14340
12	ROTATING GEAR	15325
13	BUSH 22X16X25	04494
14	GEAR HOLDER	15335
15	RETAINING RING STW 12 (EXTER.)	02570
16	CHAINWHEEL	15350
17	BALL BEARING 6201.2RS	03911
18	COVER SWITCH	16310
19	MICRO SWITCH ZIPPY VMN 15H 04 C	09271
20	WIRE ASSY BLACK 315mm	92460
21	WIRE ASSY BLUE 315mm	92461
22	COMPRESSION SPRING 31x3.55x38	03755
23	HEX HEAD SCREW M10x20	10065
24	HEX HEAD SCREW M10x90	10052
25	TAPTITE SCREW "P" M4x12	10569
26	SPRING WASHER I.D.10	10940
27	FLAT WASHER I.D.10	11010
28	LIMITS HOUSING BASE RS	16275
29	HELICAL GEAR 3005	04044
30	LIMITS CAM RED	04902
31	LIMITS CAM GREEN	04912
32	HEX HEAD SCREW M6x65	10266
33	NILOCK NUT M6	10861
34	FLAT WASHER I.D.6	11040
35	MICRO SWITCH VMN-15H-31-C2	03190
36	TAPTITE SCREW "P" BLACK ZNC M3x16	10550
37	TERMINAL STRIPS 323 HDS 12 POS	90204
38	WIRE LINK ASSY BLACK	92463
39	WIRE ASSY BROWN 130mm	92462
40	LABEL TERM.BLOCK	92485
41	SUPPORT BRACKET	04455
42	CHAIN GUIDE BRACKET	15076
43	CHAIN GUIDE	16425
44	HEX SERRATION HEAD SCREW M6x16	10170
45	HEX SERRATION FLANGE NUT M6	10150
46	FLAT WASHER M6x1.6	11042
47	SPROCKET 11T 0.625P	04705
48	SOC SET SCREW M8x8(FLAT POINT)	10031
49	EARTH WIRE ASSY	92464
50	LIMITS HOUSING COVER	16276
51	CABLE CLAMP ACC-2.5 (5/16")	11760
52	HEX HEAD SCREW M8x16	10120
53	TAPTITE SCREW "P" BLACK ZNC M3x16	10550
54	SPRING WASHER I.D.8	10850
55	FLAT WASHER I.D.8	11020
56 A	LABEL-IDENTITY 1 PHASE	16581
56 B	LABEL-IDENTITY 3 PHASE	16580
57	RS MOUNTING PLATE	92400
58	HEX HEAD SCREW M10x40	10050
59	NILOCK NUT M10	10850
60	FLAT WASHER I.D.10	11010
61	CHAIN 108 (5/8") 95 LINKS (NOT SHOWN)	92420



WHEN ORDERING SPARE PARTS
PLEASE QUOTE THE ORDER
CODE NUMBER TO YOUR
INSTALLER/DISTRIBUTOR

NOTES

WARRANTY AND EXCLUSION OF LIABILITY

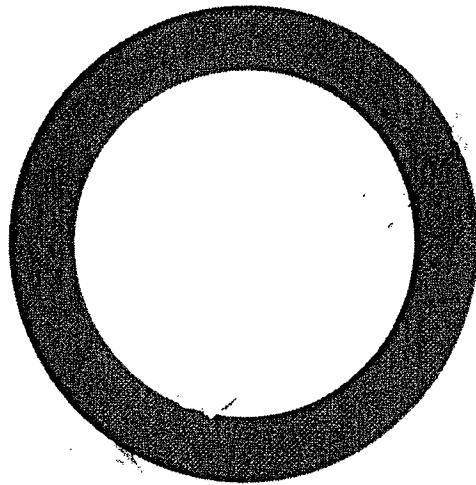
1. This warranty is an addition to any non-excludable conditions or warranties that are implied into this contract by relevant statute, including the Trade Practices Act 1974 (Cth).
2. Subject to all of the matters set out below, Automatic Technology Australia Pty Ltd ("ATA") warrants:
 - (a) the Axess Pro Series Opener for twelve (12) months,
 - (b) all components and accessories for twelve (12) months,
from the date of purchase (specified in the sales docket receipt) as free of any defects in material and workmanship.
3. This warranty applies only where the purchaser:
 - (a) immediately notifies ATA or the retailer of the alleged defect;
 - (b) returns the product to the retailer; and
 - (c) presents the relevant sales docket and this warranty document to the retailer to confirm the date of purchase.
4. Except for this warranty, ATA gives no warranties of any kind whatsoever (whether express or implied), in relation to the product, and all warranties of whatsoever kind relating to the product are, to the extent permissible by statute, hereby excluded.
5. To the extent permissible by statute, ATA disclaims any liability of whatsoever nature in respect of any claim or demand for loss or damage which arises out of:
 - a) accidental damage to or normal wear and tear to the product or to the product's components;
 - b) any cost relating to damage resulting from wear and tear;
 - c) blown fuses, loss or damage caused by electrical surges, power surges or power spikes;
 - d) loss or damage due to theft, fire, flood, rain, water, lightning, storms or any other acts of God;
 - g) door surface area exceeding 18m²;
 - h) door or gate not in safe and correct working order and condition;
 - i) evidence of unauthorised repairs;
 - j) any cost relating to damage caused by misuse, negligence or failure to maintain the equipment in a proper working order as per clauses (d) through (i);
 - k) installation, adjustment or use which is not in accordance with the instructions set out in installation instruction manual;
 - l) attempted or complete modification or repairs to the product carried out by a person who is not authorised or has not been trained by ATA to carry out such modification or repairs;
 - m) faulty or unsuitable wiring of structure to which the product is fixed or connected;
 - n) radio (including citizen band transmission) or any electrical interference;
 - o) damage caused by insects;
 - p) loss or damage to any property whatsoever or any loss or expense whatsoever resulting or arising there from or any consequential loss;
 - q) any cost or expense arising due to manufacturer recall of any product;
 - r) any cost or expense due to negligence of the approved service provider;
6. ATA's liability under this warranty is limited, at ATA's absolute option, to replacing or repairing the product which ATA, in its unfettered opinion, considers to be defective either in material and/or workmanship or to credit the dealer with the price at which the product was purchased by the dealer.
7. This warranty does not extend to cover labour for installation.
8. This warranty is limited to Return-to-Base (RTB) repair and does not cover labour for on-site attendance.
9. This warranty is void if the Product is not returned to the manufacturer in original or suitably secure packaging.
10. This warranty is only applicable for repairs to the product carried out within Australia.
11. This warranty does not cover consumable items including globes, batteries and fuses.
12. This warranty is not transferable.
13. Where the Product is retailed by any person other than ATA, except for the warranty set out above, such person has no authority from ATA to give any warranty or guarantee on ATA's behalf in addition to the warranty set out above.

Notes:

1. One (1) cycle = one (1) open and one (1) close action of the door.
2. This warranty is to be read in conjunction with the owner's copy of the installation instruction manual.

automatic
TECHNOLOGY

smart | simple | secure



AUTOMATIC TECHNOLOGY AUSTRALIA PTY LTD

ABN 11 007 125 368

6-8 Fiveways Boulevard, Keysborough, Victoria, 3173

Tel: +61 3 9791 0200 Fax: +61 3 9791 0250

Web: www.ata-aust.com.au Email: sales@ata-aust.com.au